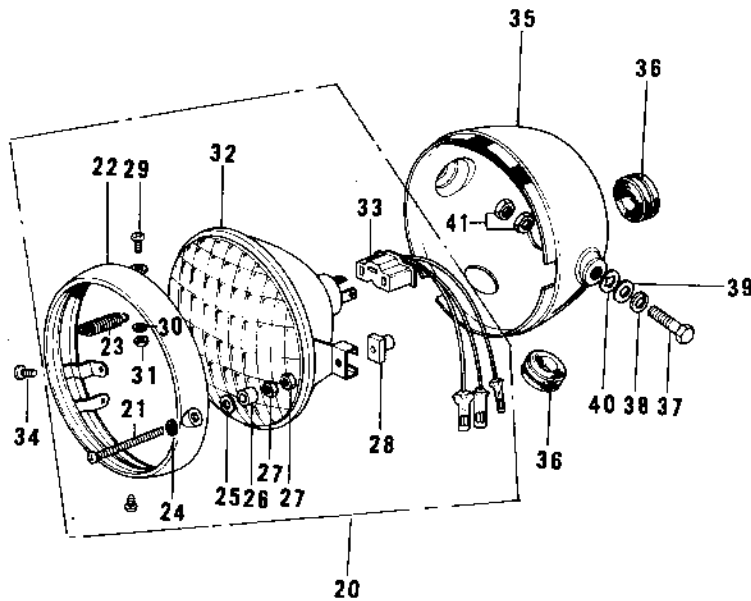
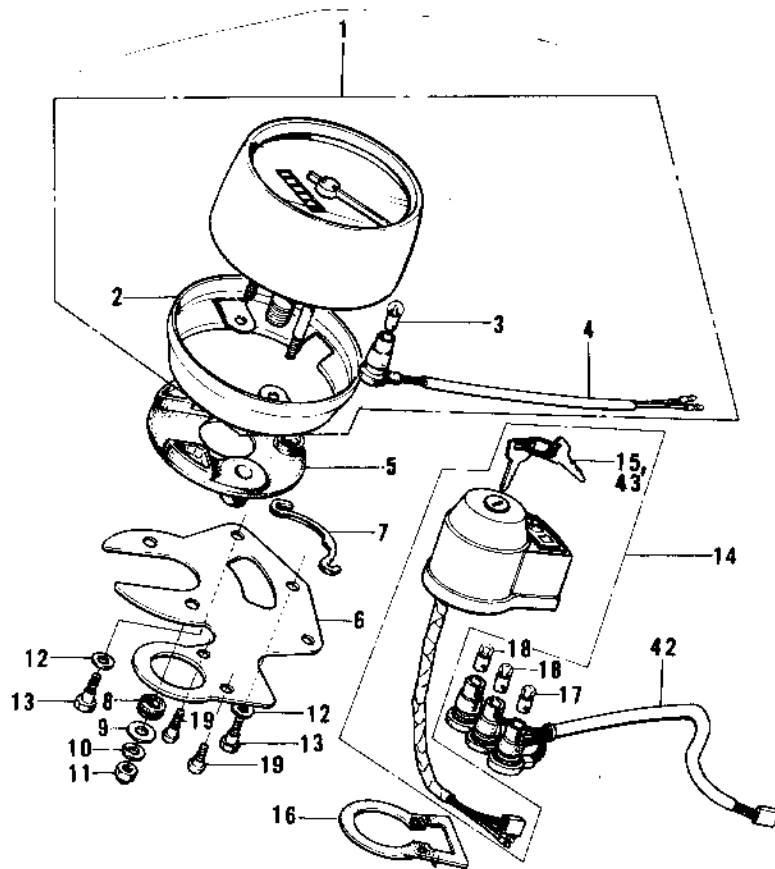


1975 G5-C PARTS DIAGRAM

METERS/HEADLIGHT ('74-'75 B/C)



Ref. #

- 1
- 2
- 3
- 4
- 5
- 6
- 7
- 8
- 9
- 10
- 11
- 12
- 13
- 14
- 15
- 16
- 17
- 18
- 19
- 20
- 21
- 22
- 23
- 24
- 25
- 26
- 27
- 28
- 29
- 30
- 31
- 32
- 33
- 34
- 35
- 36
- 37
- 38
- 39
- 40
- 41
- 42
- 43

1975 G5-C PARTS LIST

METERS/HEADLIGHT ('74-'75 B/C)

ITEM NAME	PART NUMBER	QUANTITY
SPEEDOMETER ASSY,MPH (Ref # 1)	25005-095	1
COVER,SPEEDOMETER (Ref # 2)	25012-016	1
BULB-6V 3W (Ref # 3)	92069-053	2
BULB 6V 1.5W (Ref # 3)	92069-024	2
SOCKET,SPEEDOMETER (Ref # 4)	25010-014	1
SHOCK DAMPER,METER (Ref # 5)	25019-018	1
BRACKET,SPEEDOMETER (Ref # 6)	25008-031	1
DAMPER RUBBER-BRACKET (Ref # 7)	25019-007	1
DAMPER RUBBER,METER (Ref # 8)	25019-019	1
WASHER PL 5.5X20X1.2 (Ref # 9)	92022-104	1
WASHER SPRING 5MM (Ref # 10)	461F0500	1
NUT-CAP,5MM (Ref # 11)	322N0500	1
WASHER PLAIN 8MM (Ref # 12)	410B0800	1
BOLT-HEX HEAD,6MM (Ref # 13)	92003-069	1
SWITCH ASSY,IGNITION (Ref # 14)	27005-067	1
SWITCH ASSY,IGNITION (Ref # 14)	27005-082	1
KEY SET,#401 (Ref # 15)	27008-063-01	1
KEY SET,#430 (Ref # 15)	27008-063-30	1
DAMPER RUBBER-SWITCH (Ref # 16)	27025-001	1
SCREW-PAN HEAD,6MM (Ref # 19)	92011-026	1
LAMP UNIT HEAD (Ref # 20)	23003-009	1
SCREW ADJUST (Ref # 21)	23019-013	1
RIM HEAD LAMP (Ref # 11)	23006-020	1
SPRING LENS FITTING (Ref # 23)	23014-008	1
WASHER-FOCUS ADJUST (Ref # 24)	23021-008	1
WASHER ADJUST (Ref # 25)	23021-007	1
WASHER FITTING (Ref # 26)	23058-001	1
NUT ADJUST (Ref # 27)	23020-013	1
NUT ADJUST (Ref # 28)	23020-012	1

1975 G5-C PARTS LIST

METERS/HEADLIGHT ('74-'75 B/C)

ITEM NAME	PART NUMBER	QUANTITY
SCREW FITTING (Ref # 29)	23019-014	1
WASHER SPRING 4MM (Ref # 30)	461F0400	1
NUT,4MM (Ref # 31)	311B0400	1
SEALED BEAM UNIT (Ref # 32)	23007-023	1
SOCKET ASSY,HD LIGHT (Ref # 33)	23008-044	1
SCREW OVL CNTSNK 5X8 (Ref # 34)	222E0508A	1
CASE-HEAD LAMP,BLACK (Ref # 35)	23005-021-21	1
BODY,HEAD LAMP,BLACK (Ref # 35)	23005-051-21	1
GROMMET WIRING HARNES (Ref # 36)	23023-007	1
GROMMET (Ref # 36)	23023-011	1
BOLT,HEX HEAD,10X25 (Ref # 37)	92007-045	1
WASHER SPRING 10MM (Ref # 38)	461F1000	1
WASHER PLAIN 10MM (Ref # 39)	411B1000	1
WASHER LOCK 10MM (Ref # 40)	463H1000	1
NUT 10MM (Ref # 41)	92016-027	1
SOCKET-IGNITION SW. (Ref # 42)	27024-001	1
KEY,BLANK (Ref # 43)	27008-1024	1
KEY,BLANK (Ref # 43)	27008-1025	1