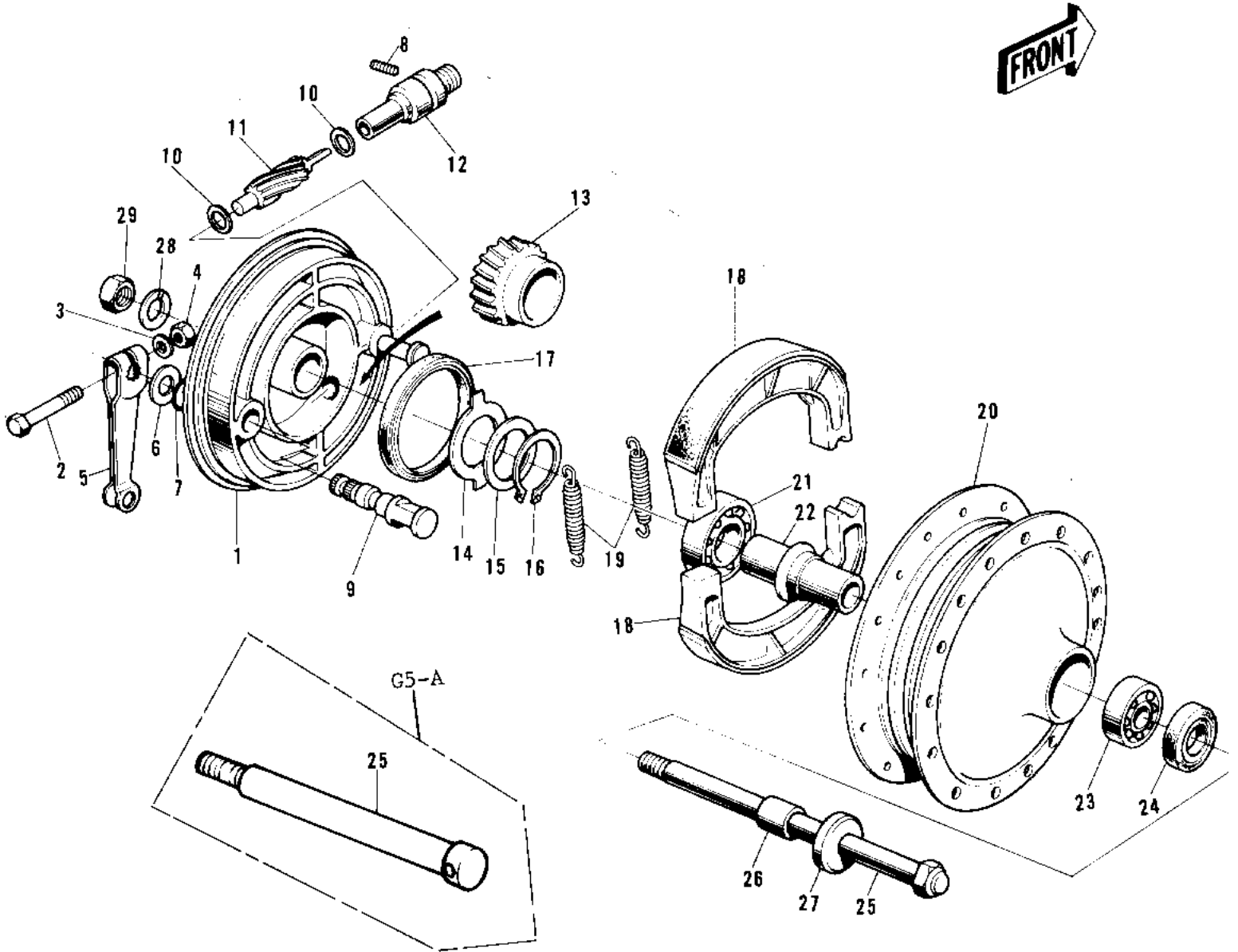


1973 G5-A PARTS DIAGRAM

FRONT HUB/BRAKE (72-73 G5-A)



1973 G5-A PARTS LIST

FRONT HUB/BRAKE ('72-'73 G5-A)

ITEM NAME	PART NUMBER	QUANTITY
PANEL-ASY,FR BRK BUFF (Ref # 1~19)	41035-071-80	
BOLT-UPSET (Ref # 2)	112G0630	
BOLT-UPSET (Ref # 2)	112G0630	
WASHER PLAIN 6MM (Ref # 3)	410B0600	
NUT 6MM (Ref # 4)	311B0600	
LEVER FRONT BRAKE CAM (Ref # 5)	41053-005	
WASHER BRAKE CAM SHT (Ref # 6)	41052-001	
"0" RING,11MM (Ref # 7)	92055-004	
SCREW BUSHING SET (Ref # 8)	41070-001	
CAM SHAFT-FRONT BRAKE (Ref # 9)	41050-018	
WASHER THRST SPD PINI (Ref # 10)	41063-001	
PINION SPEEDOMETER (Ref # 11)	41060-004	
BUSH SPEEDMETER CABLE (Ref # 12)	41062-001	
GEAR SPEEDOMETER (Ref # 13)	41059-006	
RECIEVER SPEED GEAR (Ref # 14)	41064-002	
WASHER SPEED GR THRST (Ref # 15)	41065-002	
CIRCLIP 15MM (Ref # 16)	480J1500	
OIL SEAL BRAKE PANEL (Ref # 17)	92050-002	
SHOE-BRAKE (Ref # 18)	41048-1085	
SPRING,BRAKE SHOE (Ref # 19)	92081-1766	
DRUM-ASSY,FR BRK (Ref # 20~21)	41034-1040	
BEARING BALL #6300Z (Ref # 21)	601B6300Z	
SPACER FRONT HUB (Ref # 22)	41039-002	
BEARING BALL #6200 (Ref # 23)	601B6200	
OIL SEAL FRONT DRUM (Ref # 24)	92050-003	
AXLE-FRONT (Ref # 25)	41068-039	
AXLE-FRONT (Ref # 25)	41068-039	
COLLAR FRONT HUB R.H (Ref # 26)	41069-002	
DUST SHIELD FRNT DRUM (Ref # 27)	41042-002	