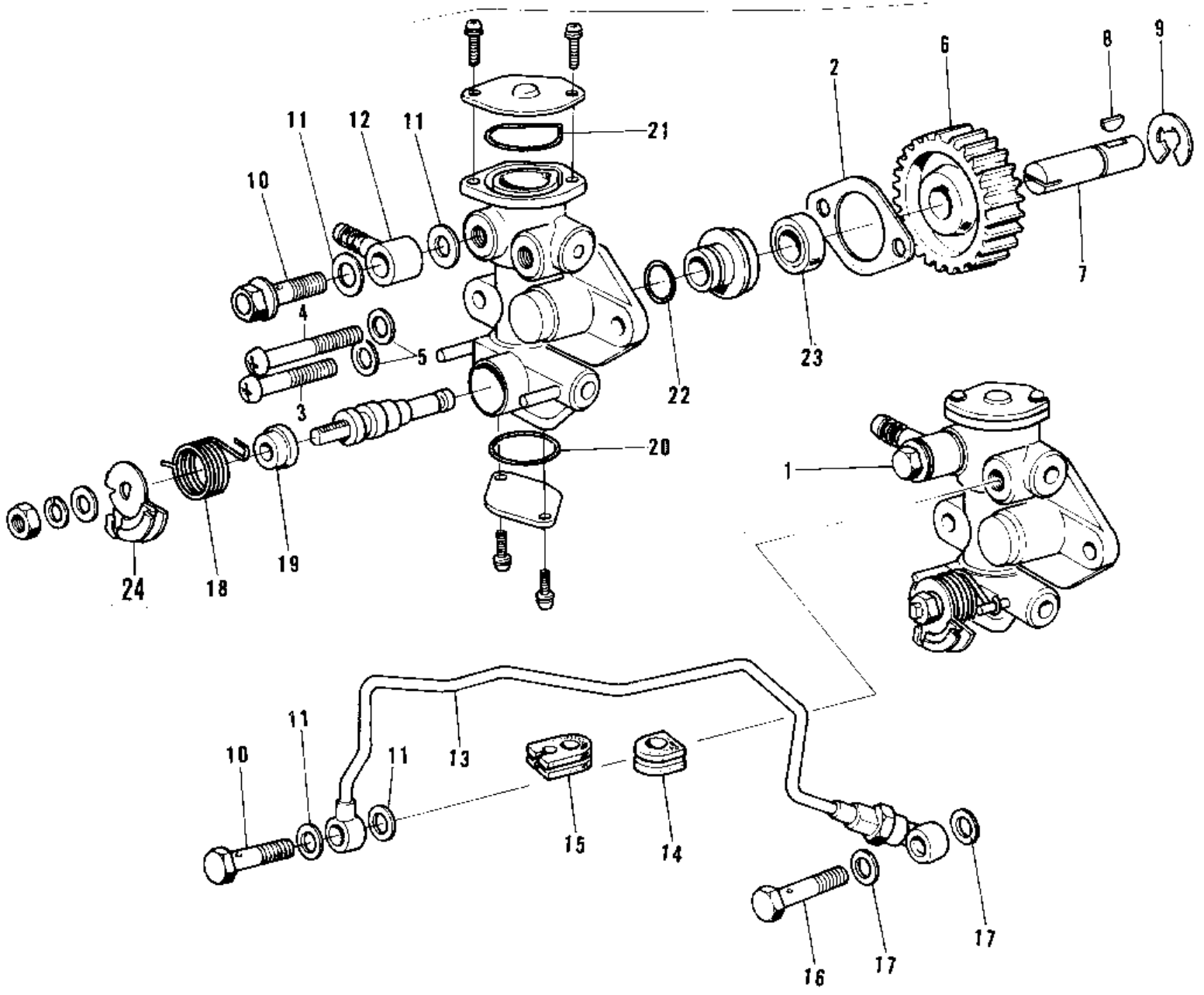


1973 G5-A PARTS DIAGRAM

OIL PUMP (72-73 G5-A)



1973 G5-A PARTS LIST

OIL PUMP ('72-'73 G5-A)

ITEM NAME	PART NUMBER	QUANTITY
OIL PUMP ASSY (Ref # 1)	16082-021	
GASKET,OIL PUMP (Ref # 2)	11060-1160	
SCREW-PAN-CROS (Ref # 3)	220B0514	
SCREW PAN CROSS,5X28 (Ref # 4)	220B0528	
WASHER OIL PUMP (Ref # 5)	92022-037	
GEAR OIL PUMP (Ref # 6)	16085-004	
SHAFT OIL PUMP (Ref # 7)	16086-001	
WOODRUFF KEY (Ref # 8)	510A3100	
CIRCLIP 9MM (Ref # 9)	482K9000	
BOLT-BANJO,6MM (Ref # 10)	92060-013	
WASHER OIL PUMP BANJO (Ref # 11)	92022-077	
CONNECTOR BANJO (Ref # 12)	92061-009	
PIPE OIL (Ref # 13)	16129-003	
GROMMET OIL PIPE A (Ref # 14)	16135-001	
GROMMET OIL PIPE B (Ref # 15)	16135-005	
BOLT BANJO CHECK VLV (Ref # 16)	92001-052	
GASKET CHECK VALVE (Ref # 17)	92065-023	
SPRING OIL PUMP LEVER (Ref # 18)	16093-004	
SEAL-OIL,CAMSHAFT,"X" (Ref # 19)	92049-1294	
"0" RING,LOWER CAP (Ref # 20)	16090-003	
"0" RING,UPPER CAP (Ref # 21)	16088-002	
"0" RING,OIL PUMP SHT (Ref # 22)	16090-002	
OIL SEAL OIL PUMP SHT (Ref # 23)	16091-001	
LEVER-OIL PUMP CABLE (Ref # 24)	16096-001	