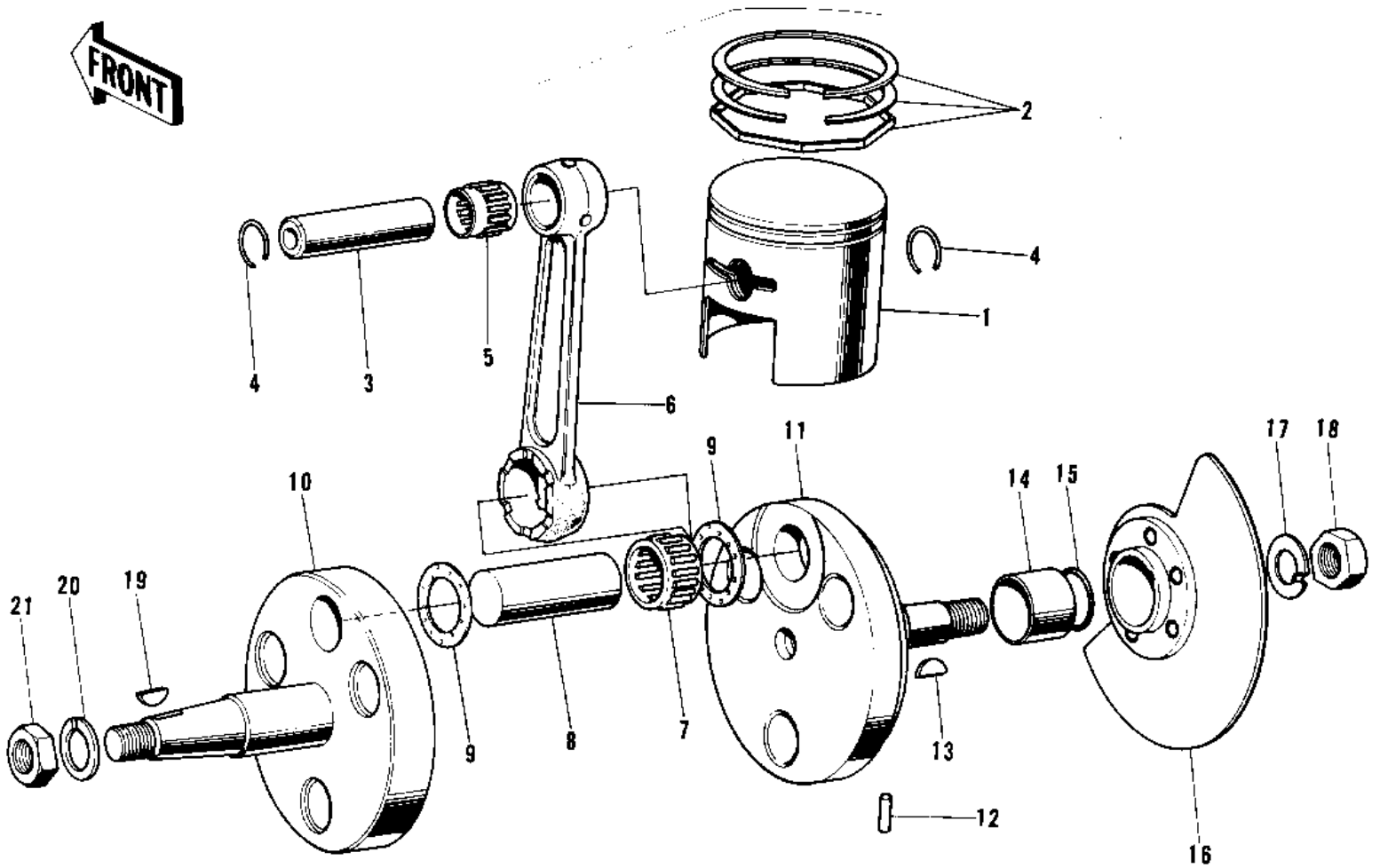


1974 G5-B PARTS DIAGRAM

CRANKSHAFT/PISTON/ROTARY VALVE ('72-'73)



1974 G5-B PARTS LIST

CRANKSHAFT/PISTON/ROTARY VALVE ('72-'73)

ITEM NAME	PART NUMBER	QUANTITY
PISTON STD (Ref # 1)	13001-037	
PISTON 0.020' O.S (Ref # 1)	13029-036	
PISTON 0.040' O.S (Ref # 1)	13027-036	
RING SET,STD. (Ref # 2)	13008-035	
RING SET,0.020'O.S (Ref # 2)	13025-040	
RING SET,0.040'O.S. (Ref # 2)	13024-043	
PIN-PISTON (Ref # 3)	13002-007	
CIRCLIP PISTON PIN (Ref # 4)	92036-007	
BRG N72KTV030 (Ref # 5)	13033-028	
CONNECTING ROD SET (Ref # 6~9)	13044-019	
CRANK&CONROD ASSY (Ref # 6~11)	13036-034	
NEEDLE BEARING-BG END (Ref # 7)	13034-025	
CRANK PIN (Ref # 8)	13035-025	
WASHER-SIDE (Ref # 9)	92025-047	
CRANKSHAFT,L.H (Ref # 10)	13037-044	
CRANKSHAFT,R.H (Ref # 11)	13038-040	
PIN DOWEL 4X10 (Ref # 12)	610A0410	
WOODRUFF KEY PRY PINI (Ref # 13)	92038-003	
COLLAR CRANKSHAFT (Ref # 14)	92027-022	
"0" RING,16MM (Ref # 15)	670B2016	
VALVE ROTARY DISC (Ref # 16)	12001-004	
WASHER LOCK 12MM (Ref # 17)	92024-003	
NUT 12MM (Ref # 18)	92015-006	
WOODRUFF KEY (Ref # 19)	510A3200	
WASHER SPRING 10MM (Ref # 20)	461F1000	
NUT,10MM (Ref # 21)	314B1000	