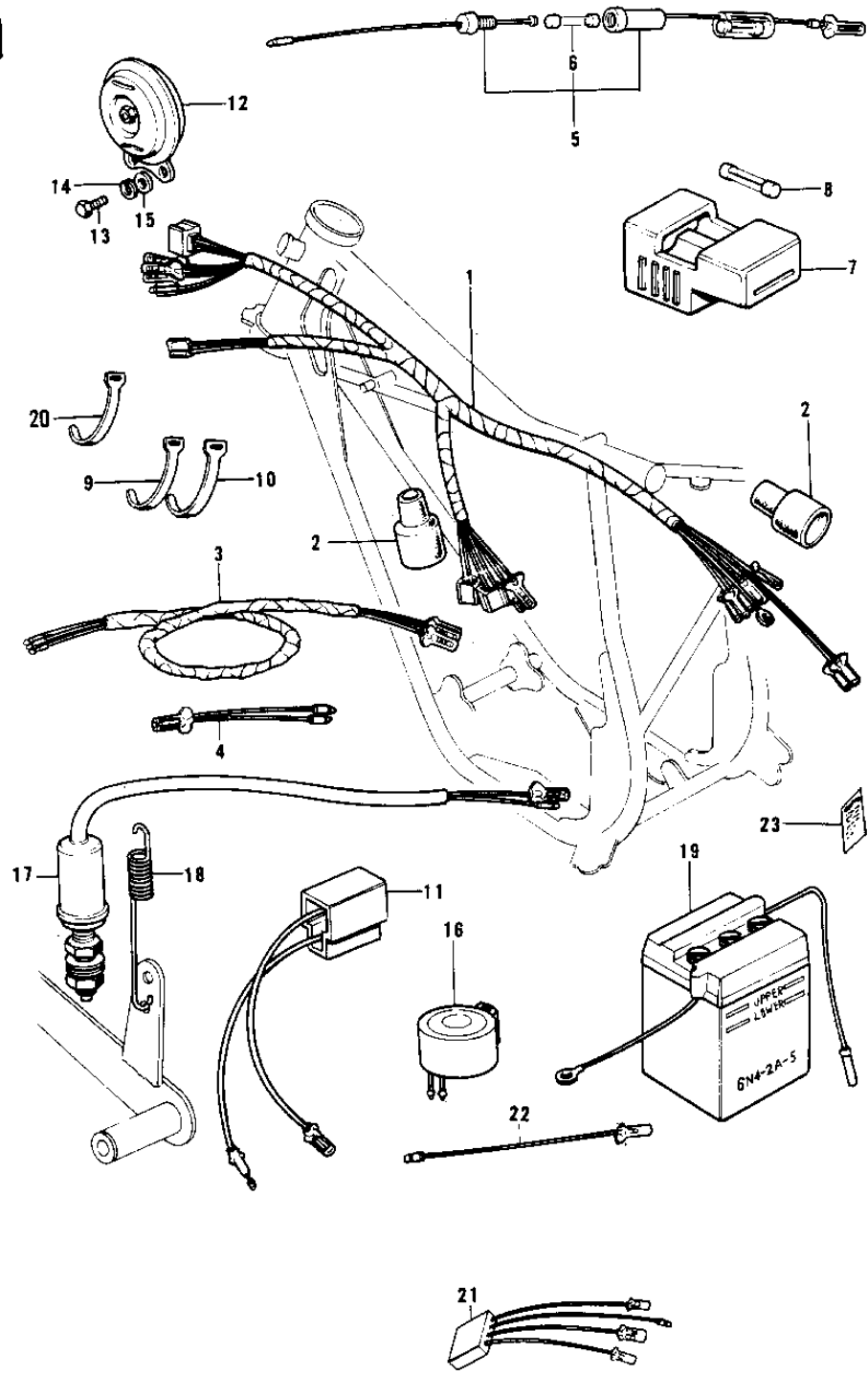


1970 Trail Boss PARTS DIAGRAM

CHASSIS ELECTRICAL EQUIPMENT ('74-'75)



1970 Trail Boss PARTS LIST

CHASSIS ELECTRICAL EQUIPMENT ('74-'75)

ITEM NAME	PART NUMBER	QUANTITY
WIRING HARNESS,MAIN (Ref # 1)	26001-105	1
COVER WIRING HARNESS (Ref # 2)	26009-003	2
WIRING HARNESS-REAR (Ref # 3)	26002-037	1
LEAD WIRE (Ref # 4)	26011-042	1
FUSE ASSY (Ref # 5)	26004-017	1
FUSE 10A (Ref # 6)	26006-003	2
HOLDER,SPARE FUSE (Ref # 7)	26016-003	1
FUSE 10A (Ref # 8)	26006-003	2
BAND,SHORT (Ref # 9)	92072-030	9
BAND,LONG (Ref # 10)	92072-032	4
WIRE,RECTIFIER LEAD (Ref # 11)	26011-074	1
HORN (Ref # 12)	27003-060	1
HORN (Ref # 12)	27003-060	1
SCREW PAN HEAD 6X14 (Ref # 13)	220B0614	2
WASHER SPRING 6MM (Ref # 14)	461F0600	2
WASHER PLAIN 6MM (Ref # 15)	411B0600	2
RELAY-TURN SIGNAL (Ref # 16)	27002-013	1
SWITCH-BRAKE LAMP (Ref # 17)	27010-020	1
SWITCH-BRAKE LAMP (Ref # 17)	27010-015	1
SPRING BRAKE LAMP SW (Ref # 18)	27011-004	1
YUA BAT 6N4-2A-5 (Ref # 19)	K26012-020	1
BAND,MIDDLE (Ref # 20)	92072-031	1
WIRING HARNESS,REAR (Ref # 21)	26002-056	1
WIRE,LEAD (Ref # 22)	26011-094	1
LABEL-WARNING,BATTERY (Ref # 23)	56040-1036	1