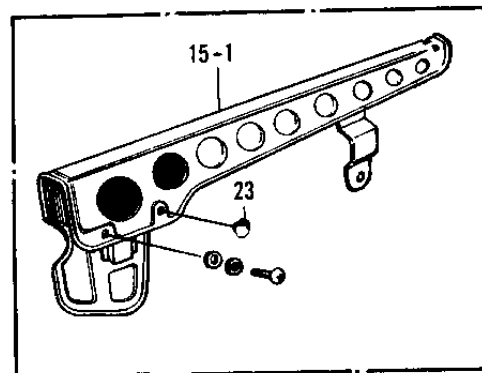
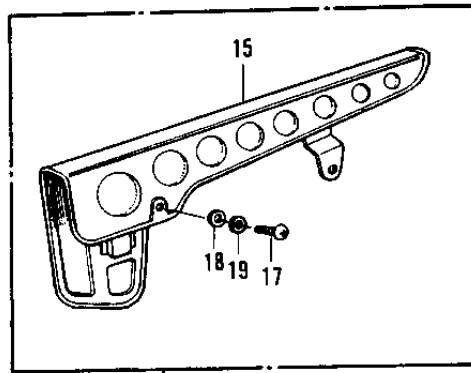
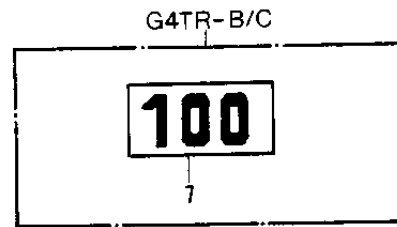
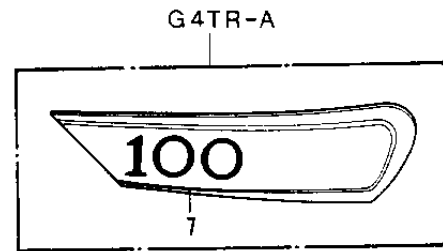
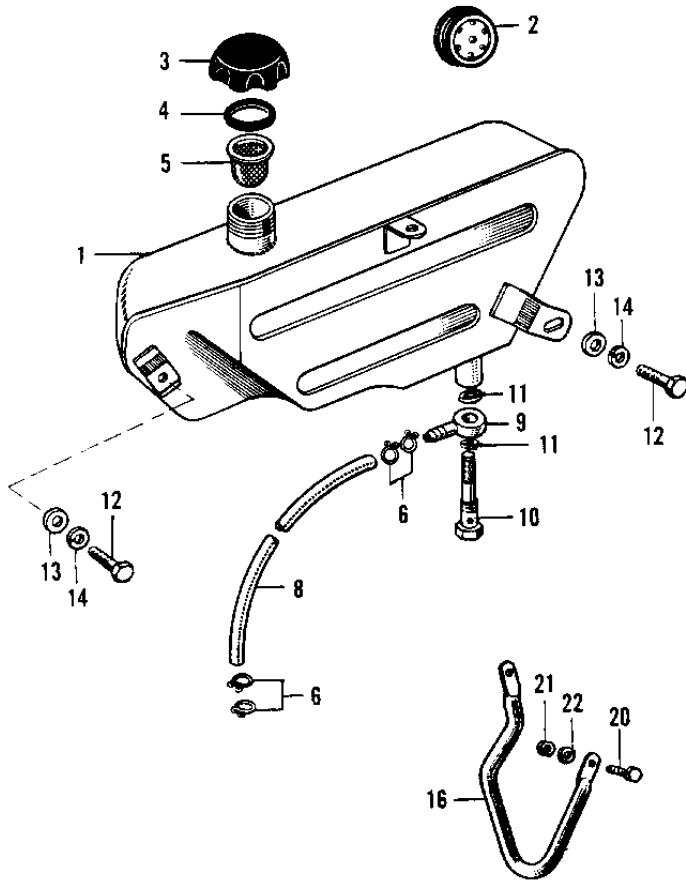


# 1970 Trail Boss PARTS DIAGRAM

OIL TANK/CHAIN COVER (70-73)



G4TR

G4TR-A/B/C



# 1970 Trail Boss PARTS LIST

## OIL TANK/CHAIN COVER ('70-'73)

ITEM NAME	PART NUMBER	QUANTITY
TANK OIL C.RED (Ref # 1)	52001-019-24	1
TANK-OIL,P.C.ORANGE (Ref # 1)	52001-019-67	1
TANK-OIL,F BLACK (Ref # 1)	52001-019-21	1
GAUGE OIL LEVEL (Ref # 2)	52015-001	1
CAP OIL TANK (Ref # 3)	52003-001	1
GASKET OIL TANK CAP (Ref # 4)	92065-018	1
GASKET OIL TANK CAP B (Ref # 5)	52004-001	1
CLAMP FUEL PIPE (Ref # 6)	92037-010	4
EMBLEM OIL TANK (Ref # 7)	56018-027	1
EMBLEM,SILVER (Ref # 7)	56018-068-14	1
EMBLEM-OIL TANK (Ref # 7)	56018-111	1
EMBLEM-OIL TANK (Ref # 7)	56018-127	1
PIPE OIL TANK (Ref # 8)	92059-002	1
CONNECTOR BANJO (Ref # 9)	92061-003	1
BOLT OIL TANK BANJO (Ref # 10)	92060-001	1
GASKET,10,2X15X1.5T (Ref # 11)	11009-1146	2
BOLT-UPSET,6X12 (Ref # 12)	112G0612	2
WASHER PLAIN 6MM (Ref # 13)	411B0600	2
WASHER SPRING 6MM (Ref # 14)	461F0600	2
CASE-CHAIN (Ref # 15)	36014-031	1
CASE-CHAIN,BLACK (Ref # 15-1)	36014-037-21	1
GUARD CHAIN (Ref # 16)	55020-003	1
SCREW PAN HEAD 6X14 (Ref # 17)	220B0614	1
WASHER PLAIN 6MM (Ref # 18)	411B0600	1
WASHER SPRING 6MM (Ref # 19)	461F0600	1
BOLT,8X20 (Ref # 20)	115G0820	1
NUT 8MM (Ref # 21)	312B0800	1
WASHER SPRING 8MM (Ref # 22)	461F0800	1
PLUG-RUBBER (Ref # 23)	92074-018	1