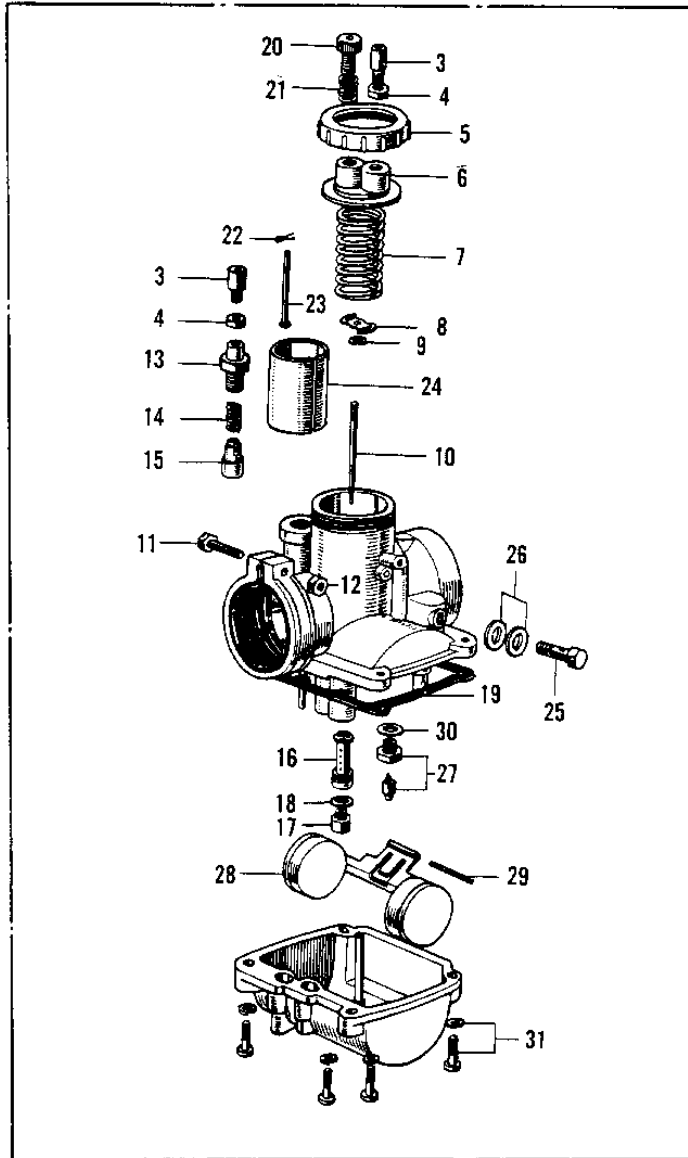
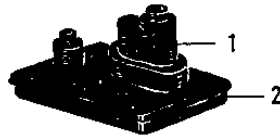


# 1970 Trail Boss PARTS DIAGRAM

CARBURETOR (70-73)



|

# 1970 Trail Boss PARTS LIST

## CARBURETOR ('70-'73)

ITEM NAME	PART NUMBER	QUANTITY
GROMMET CARB CAP (Ref # 1)	14038-006	1
CAP CARBURETOR (Ref # 2)	14038-007	1
ADJUSTER,CABLE (Ref # 3)	16002-017	2
NUT CABLE ADJUST LOCK (Ref # 4)	16003-004	2
CAP MIXING CHAMBER (Ref # 5)	16004-010	1
TOP MIXING CHAMBER (Ref # 6)	16005-005	1
SPRING THROTTLE VALVE (Ref # 7)	16006-013	1
SPRING SEAT THRTL VLV (Ref # 8)	16007-002	1
CIRCLIP (Ref # 9)	16008-010	1
JET NEEDLE 5J-7 (Ref # 10)	16009-026	1
SCREW CLAMP (Ref # 11)	16010-004	1
NUT 6MM (Ref # 12)	311B0600	1
CAP STARTER PLUNGER (Ref # 13)	16012-004	1
SPRING-PLUNGER (Ref # 14)	16013-003	1
PLUNGER-ENRICHNER (Ref # 15)	16016-002	1
NEEDLE JET E-6 (Ref # 16)	16017-040	1
NEEDLE JET,E-6 (Ref # 16)	16017-065	1
MAIN JET NO 180M (Ref # 17)	92063-082	1
JET-MAIN NO 107.5R (Ref # 17)	92063-073	1
MAIN JET NO 160M (Ref # 17)	92063-018	1
MAIN JET NO 170M (Ref # 17)	92063-081	1
MAIN JET NO 190M (Ref # 17)	92063-083	1
MAIN JET NO 200M (Ref # 17)	92063-084	1
MAIN JET,#A102.5 (Ref # 17)	92063-1028	1
MAIN JET,#A105R (Ref # 17)	92063-1042	1
MAIN JET,#110R (Ref # 17)	92063-1038	1
JET-MAIN NO 112.5R (Ref # 17)	92063-075	1
WASHER MAIN JET (Ref # 18)	16034-001	1
GASKET FLOAT CHAMBER (Ref # 19)	16019-012	1

# 1970 Trail Boss PARTS LIST

## CARBURETOR (70-73)

ITEM NAME	PART NUMBER	QUANTITY
SCREW,THROTTLE STOP (Ref # 20)	16021-002	1
SPRING THR STOP SCREW (Ref # 21)	16022-005	1
PIN COTTER 1.2X10 (Ref # 22)	550D1210	1
ROD,THROTTLE VLV STP (Ref # 23)	16024-012	1
VALVE,THROTTLE CA.2.5 (Ref # 24)	16025-054	1
VALVE,THROTTLE CA.2.5 (Ref # 24)	16025-054	1
BOLT BANJO (Ref # 25)	92001-014	1
GASKET 8MM (Ref # 26)	751P0800	1
FLOAT VALVE ASSY (Ref # 27)	16030-001	1
FLOAT (Ref # 28)	16031-015	1
FLOAT PIN (Ref # 29)	16032-003	1
WASHER VALVE SEAT (Ref # 30)	16029-002	1
SCREW-FLOAT CHAMBER (Ref # 31)	16033-012	4
GROMMET OVERFLOW PIPE (Ref # 32)	16136-001	1
CARBURETOR ASSY (Ref # 33)	16001-160	1
CARBURETOR ASSY (Ref # 33)	16001-160	1