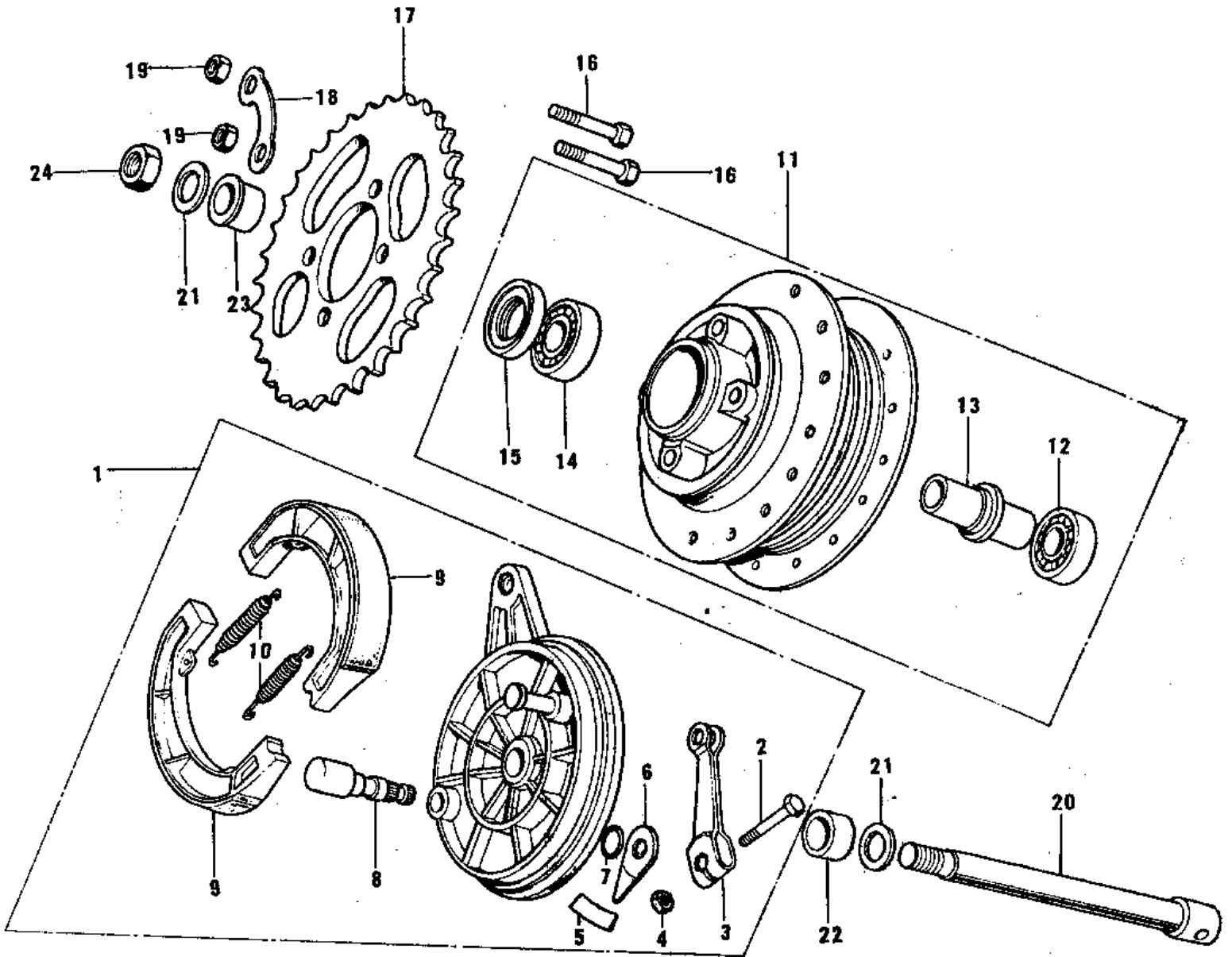


1969 Bushmaster PARTS DIAGRAM

REAR HUB/BRAKE ('74-'75)



1969 Bushmaster PARTS LIST

REAR HUB/BRAKE ('74-'75)

ITEM NAME	PART NUMBER	QUANTITY
PANEL ASSY,REAR BRAK (Ref # 1)	42006-043	1
BOLT-UPSET (Ref # 2)	112G0630	2
LEVER,FRONT BRAKE CAM (Ref # 3)	41053-002	1
NUT,6MM (Ref # 4)	41072-007	1
LABEL,FR BRK SHOE (Ref # 5)	41084-002	1
INDICATOR,BKSHOE (Ref # 6)	41085-003	1
"O" RING,11MM (Ref # 7)	92055-004	1
CAM SHAFT,FRONT BRAKE (Ref # 8)	41050-012	1
SHOE-BRAKE (Ref # 9)	41048-1085	1
SPRING,BRAKE SHOE (Ref # 10)	92081-1766	1
DRUM ASSY REAR BRAKE (Ref # 11)	42005-006	1
BEARING BALL #6301Z (Ref # 12)	601B6301Z	1
SPACER RR HUB BEARING (Ref # 13)	42010-003	1
BEARING BALL #6301 (Ref # 14)	601B6301	1
OIL SEAL RR BRK DRUM (Ref # 15)	92052-001	1
BOLT REAR SPROCKET (Ref # 16)	92001-021	1
REAR SPROCKET 37T (Ref # 17)	42041-020	1
REAR SPROCKET 42T (Ref # 17)	42041-051	1
WASHER RR SPRCKT LOCK (Ref # 18)	92088-003	1
NUT,8MM (Ref # 19)	311B0800	1
AXLE,12X206 (Ref # 20)	41068-1091	1
WASHER PLAIN 12MM (Ref # 21)	410B1200	1
COLLAR REAR HUB R.H (Ref # 22)	42032-006	1
COLLAR REAR HUB L.H (Ref # 23)	42032-005	1
NUT-HEX-FINE (Ref # 24)	314B1200	1