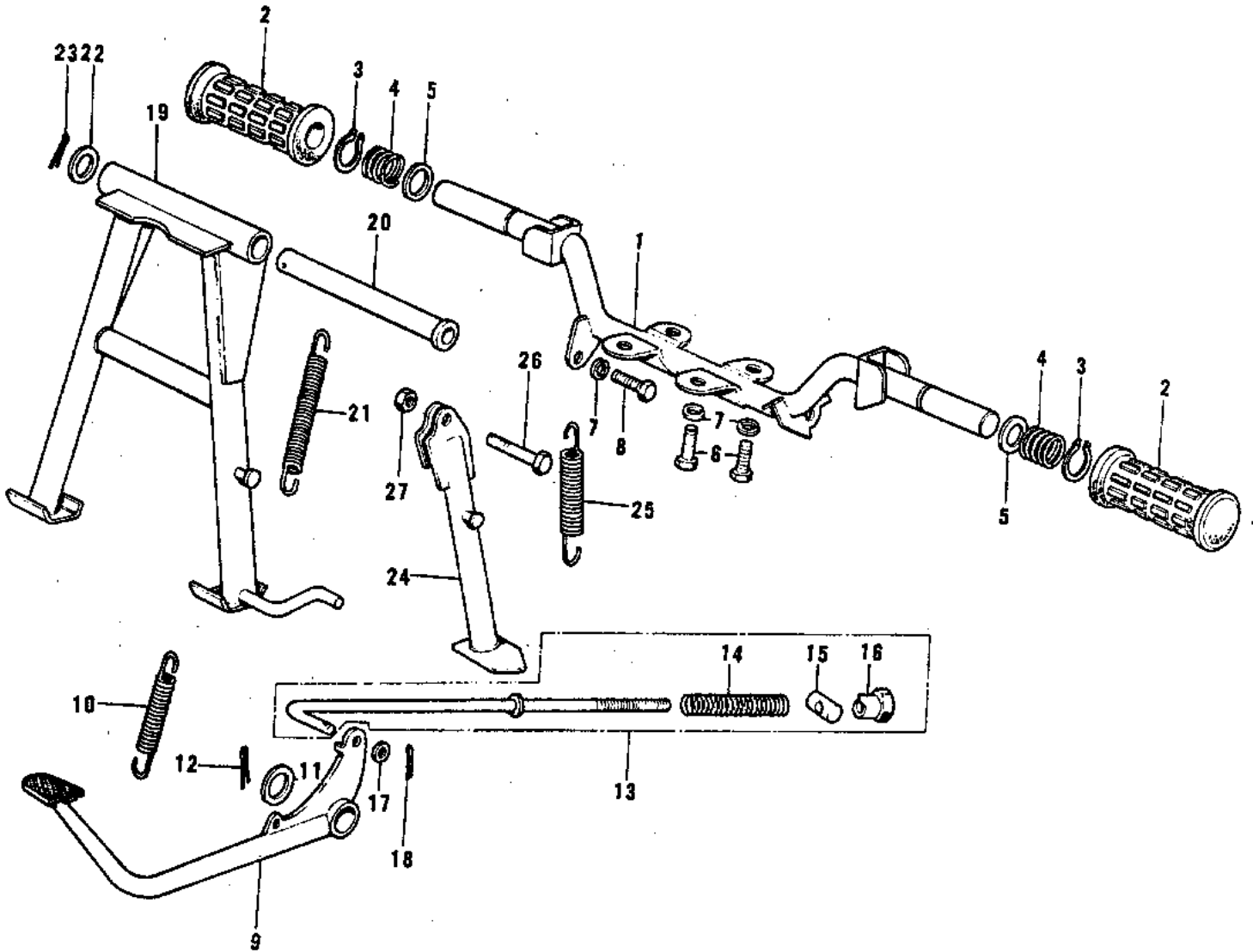


## 1970 Bushmaster PARTS DIAGRAM

FOOTRESTS/STANDS/BRAKE PEDAL ('74-'75)



## 1970 Bushmaster PARTS LIST

FOOTRESTS/STANDS/BRAKE PEDAL ('74-'75)

| ITEM NAME                       | PART NUMBER | QUANTITY |
|---------------------------------|-------------|----------|
| BAR,FOOTREST (Ref # 1)          | 34002-048   | 1        |
| RUBBER FOOTREST (Ref # 2)       | 92076-006   | 1        |
| CIRCLIP 16MM (Ref # 3)          | 480J1600    | 1        |
| SPRING FOOTREST PEG (Ref # 4)   | 34006-002   | 1        |
| WASHER FOLDING PEG (Ref # 5)    | 92022-049   | 1        |
| BOLT-SMALL-UPSET,8X16 (Ref # 6) | 115G0816    | 1        |
| BOLT HEX HEAD 8X16 (Ref # 6)    | 116B0816    | 1        |
| WASHER SPRING 8MM (Ref # 7)     | 461F0800    | 1        |
| BOLT,8X20 (Ref # 8)             | 115G0820    | 2        |
| PEDAL BRAKE (Ref # 9)           | 43001-014   | 1        |
| SPRING BRAKE PEDAL (Ref # 10)   | 43005-005   | 1        |
| WASHER BRAKE PEDAL (Ref # 11)   | 92022-085   | 2        |
| PIN COTTER 3.0X30 (Ref # 12)    | 550D3030    | 2        |
| BRAKE ROD ASSY (Ref # 13)       | 43010-5003  | 1        |
| SPRING,BRAKE ROD (Ref # 14)     | 43012-001   | 1        |
| PIN BRAKE (Ref # 15)            | 92043-039   | 1        |
| NUT-BRAKE ROD ADJUST (Ref # 16) | 92015-042   | 1        |
| WASHER PLAIN 6MM (Ref # 17)     | 410B0600    | 1        |
| PIN COTTER 2.0X15 (Ref # 18)    | 550D2015    | 1        |
| STAND-MAIN (Ref # 19)           | 34011-1045  | 1        |
| SHAFT MAIN STAND (Ref # 20)     | 34019-006   | 1        |
| SPRING MAIN STAND (Ref # 21)    | 34023-005   | 1        |
| STAND-SIDE (Ref # 24)           | 34024-053   | 1        |
| SPRING,SIDE STAND (Ref # 25)    | 34025-001   | 1        |
| BOLT,HEX HEAD,10X25 (Ref # 26)  | 113G1025    | 1        |
| NUT 10MM (Ref # 27)             | 315B1000    | 1        |