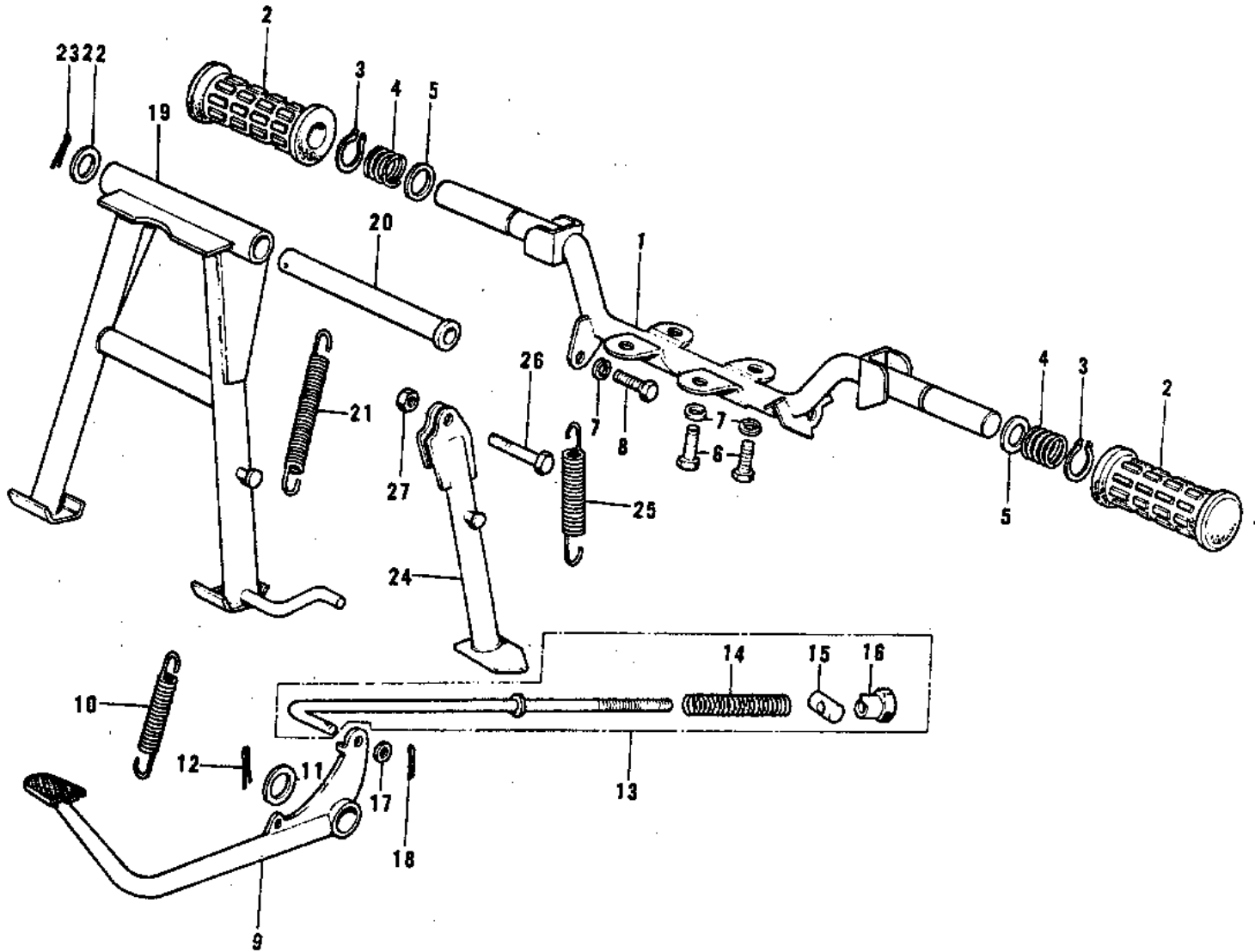


1974 G3SS-D PARTS DIAGRAM

FOOTRESTS/STANDS/BRAKE PEDAL ('74-'75)



1974 G3SS-D PARTS LIST

FOOTRESTS/STANDS/BRAKE PEDAL ('74-'75)

| ITEM NAME | PART NUMBER | QUANTITY |
|---------------------------------|-------------|----------|
| BAR,FOOTREST (Ref # 1) | 34002-048 | 1 |
| RUBBER FOOTREST (Ref # 2) | 92076-006 | 1 |
| CIRCLIP 16MM (Ref # 3) | 480J1600 | 1 |
| SPRING FOOTREST PEG (Ref # 4) | 34006-002 | 1 |
| WASHER FOLDING PEG (Ref # 5) | 92022-049 | 1 |
| BOLT-SMALL-UPSET,8X16 (Ref # 6) | 115G0816 | 1 |
| BOLT HEX HEAD 8X16 (Ref # 6) | 116B0816 | 1 |
| WASHER SPRING 8MM (Ref # 7) | 461F0800 | 1 |
| BOLT,8X20 (Ref # 8) | 115G0820 | 2 |
| PEDAL BRAKE (Ref # 9) | 43001-014 | 1 |
| SPRING BRAKE PEDAL (Ref # 10) | 43005-005 | 1 |
| WASHER BRAKE PEDAL (Ref # 11) | 92022-085 | 2 |
| PIN COTTER 3.0X30 (Ref # 12) | 550D3030 | 2 |
| BRAKE ROD ASSY (Ref # 13) | 43010-5003 | 1 |
| SPRING,BRAKE ROD (Ref # 14) | 43012-001 | 1 |
| PIN BRAKE (Ref # 15) | 92043-039 | 1 |
| NUT-BRAKE ROD ADJUST (Ref # 16) | 92015-042 | 1 |
| WASHER PLAIN 6MM (Ref # 17) | 410B0600 | 1 |
| PIN COTTER 2.0X15 (Ref # 18) | 550D2015 | 1 |
| STAND-MAIN (Ref # 19) | 34011-1045 | 1 |
| SHAFT MAIN STAND (Ref # 20) | 34019-006 | 1 |
| SPRING MAIN STAND (Ref # 21) | 34023-005 | 1 |
| STAND-SIDE (Ref # 24) | 34024-053 | 1 |
| SPRING,SIDE STAND (Ref # 25) | 34025-001 | 1 |
| BOLT,HEX HEAD,10X25 (Ref # 26) | 113G1025 | 1 |
| NUT 10MM (Ref # 27) | 315B1000 | 1 |