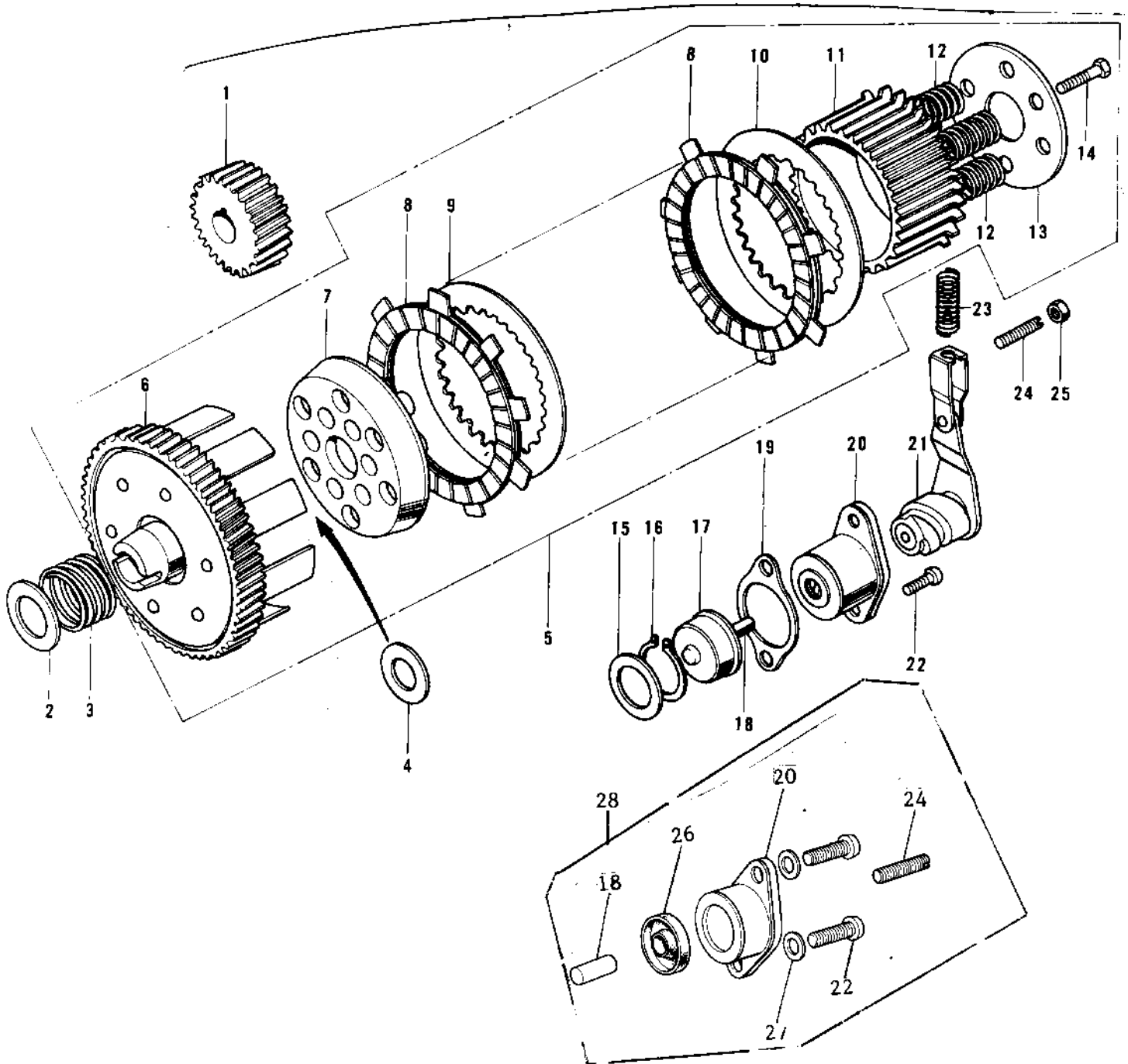


1970 Bushmaster PARTS DIAGRAM

CLUTCH ('74-'75)



1970 Bushmaster PARTS LIST

CLUTCH ('74-'75)

ITEM NAME	PART NUMBER	QUANTITY
PINION,PRIMARY (Ref # 1)	13121-032	1
WASHER PLAIN (Ref # 2)	92022-057	1
SPRING CLUTCH DAMPER (Ref # 3)	92081-015	1
WASHER THRUST CLUTCH (Ref # 4)	92022-054	1
CLUTCH-ASSY (Ref # 5)	13081-028	1
HOUSING CLUTCH (Ref # 6)	13095-022	1
WHEEL,CLUTCH (Ref # 7)	13086-1002	1
PLATE-FRICTION (Ref # 8)	13088-1103	1
PLATE-CLUTCH,STEEL (Ref # 9)	13089-1009	1
PLATE CLUTCH OUTER (Ref # 10)	13090-004	1
HUB,CLUTCH (Ref # 11)	13087-1011	1
SPRING CLUTCH (Ref # 12)	92081-012	1
HOLDER,CLUTCH SPRING (Ref # 13)	13091-1115	1
BOLT-UPSET (Ref # 14)	112G0516	1
WASHER THRUST (Ref # 15)	92022-053	1
CIRCLIP 16MM (Ref # 16)	480J1600	1
PUSHER CLUTCH SPRING (Ref # 17)	13113-003	1
PIN DOWEL 7X10 (Ref # 18)	610A0710	1
PIN,DOWEL,7X14 (Ref # 18)	610A0714	1
GASKET,CLUTCH RELEASE (Ref # 19)	11060-1197	1
RELEASE SET,CLUTCH (Ref # 20)	13231-013	2
RELEASE-ASSY-CLUTCH (Ref # 20)	13231-1008	2
SCREW PAN HEAD 6X16 (Ref # 22)	220B0616	1
SPRING-CLUTCH RELEASE (Ref # 23)	92081-096	1
SCREW SLOTTED 6X28 (Ref # 24)	291Z0628	2
SCREW,SLOTTED,6X24 (Ref # 24)	291H0624	1
NUT 6MM (Ref # 25)	311B0600	1
OIL SEAL (Ref # 26)	92050-071	1
WASHER PLAIN 6MM (Ref # 27)	410B0600	1