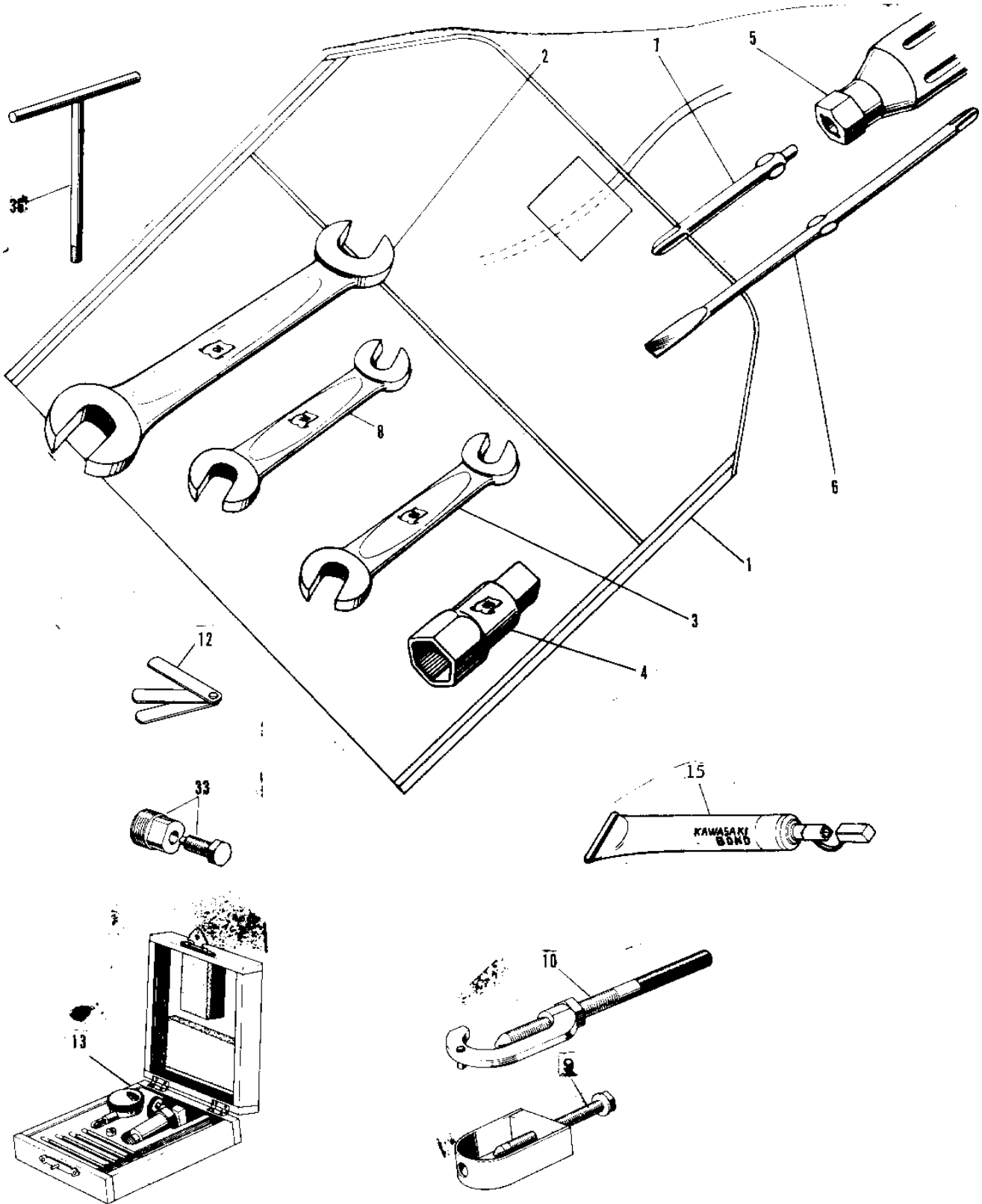


1969 Bushmaster PARTS DIAGRAM

OWNER TOOLS/SPECIAL SERVICE TOOLS ('69')



1969 Bushmaster PARTS LIST

OWNER TOOLS/SPECIAL SERVICE TOOLS ('69')

ITEM NAME	PART NUMBER	QUANTITY
*** N.L.A.*** (Canada) (Ref # 1~8)	56007-019	1
BAG,TOOL (Ref # 1)	56008-008	1
*** N.L.A.*** (Canada) (Ref # 2)	960B1719	1
*** N.L.A.*** (Canada) (Ref # 3)	960B1014	1
92110-012 (Canada) (Ref # 4)	92110-003	1
UNAVAILABLE IN PRICE BOOK (Ref # 5)	92106-003	1
TOOL-DRIVER (Ref # 6)	92107-1052	1
SCREW DRIVER #3 PHLIP (Ref # 7)	92107-005	1
UNAVAILABLE IN PRICE BOOK (Ref # 8)	960B1013	1
LIQUID GASKET (Ref # 15)	92104-002	1