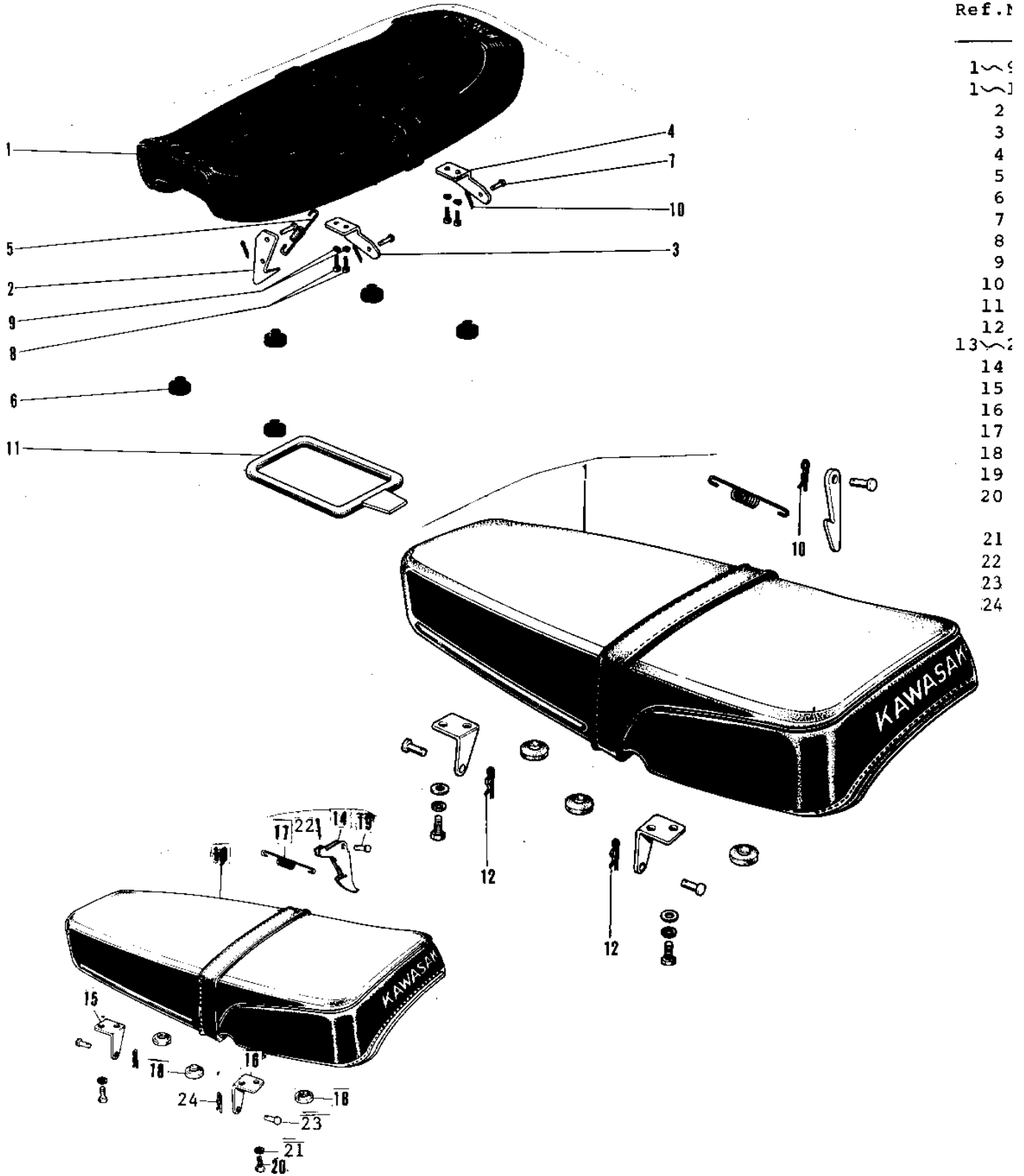


1970 Bushmaster PARTS DIAGRAM

SEAT ('69-'73)



1970 Bushmaster PARTS LIST

SEAT ('69-'73)

ITEM NAME	PART NUMBER	QUANTITY
SEAT,DUAL (Ref # 1~9)	53001-045	1
SEAT-ASSY,DUAL (Ref # 1~10)	53001-067	1
HOOK (Ref # 2)	53008-004	1
HINGE A (Ref # 3)	53009-006	1
HINGE B (Ref # 4)	53009-008	1
SPRING,HOOK (Ref # 5)	53012-013	1
DAMPER RUBB DUAL SEAT (Ref # 6)	92075-023	1
PIN DUAL SEAT PIVOT (Ref # 7)	53011-001	2
BOLT-UPSET 6X14 (Ref # 8)	112B0614	1
WASHER SPRING 6MM (Ref # 9)	461F0600	2
PIN COTTER 2.0X15 (Ref # 10)	550D2015	2
BAND TOOL (Ref # 11)	92072-010	1
PIN,SNAP (Ref # 12)	554A0800	1