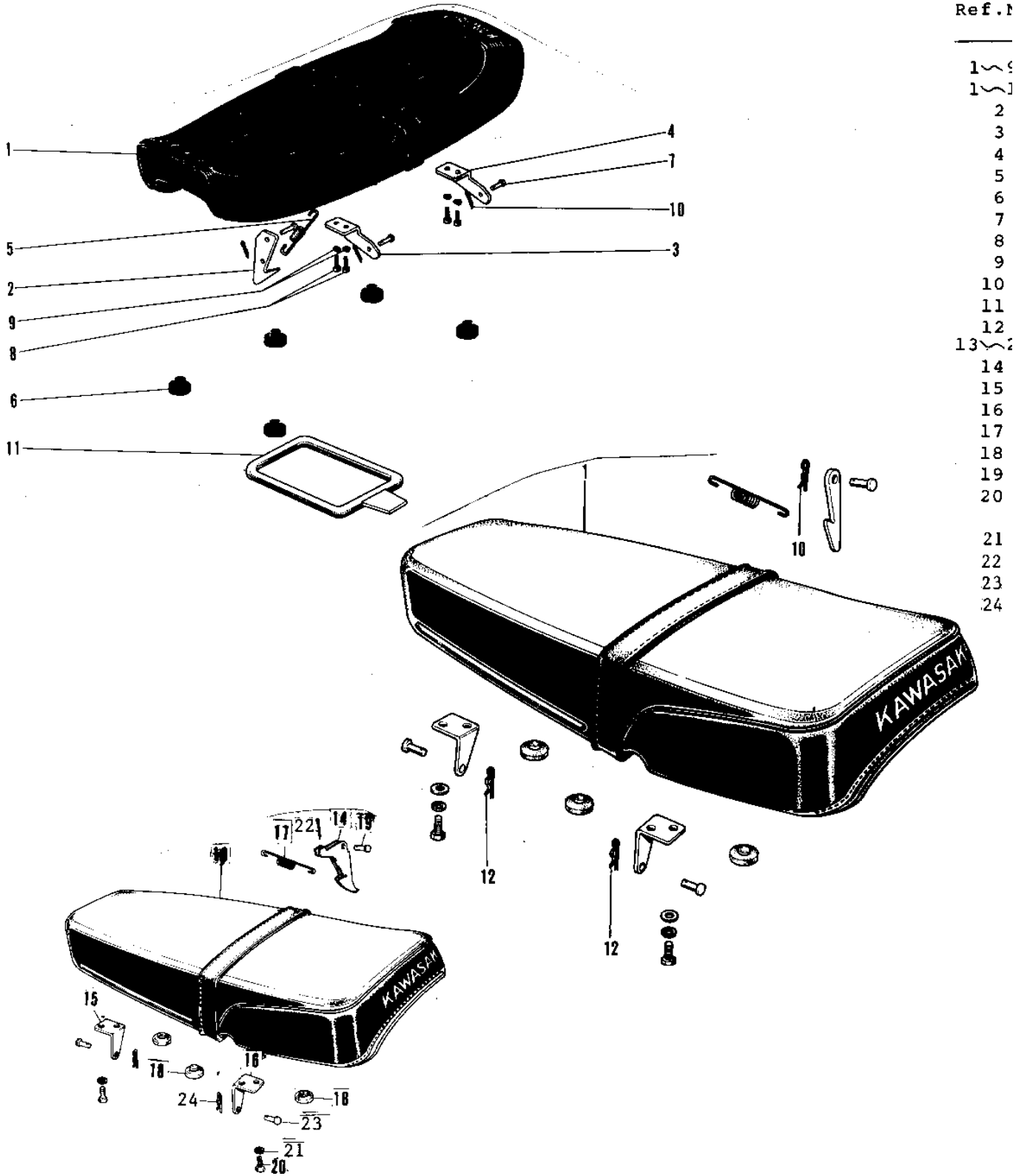


1970 Bushmaster PARTS DIAGRAM

SEAT ('69-'73)



Ref. No.	Part Description
1	Seat Cushion
2	Bracket
3	Bracket
4	Bracket
5	Bracket
6	Bracket
7	Bracket
8	Bracket
9	Bracket
10	Bracket
11	Seat Base
12	Bracket
13	Bracket
14	Bracket
15	Bracket
16	Bracket
17	Bracket
18	Bracket
19	Bracket
20	Bracket
21	Bracket
22	Bracket
23	Bracket
24	Bracket

1970 Bushmaster PARTS LIST

SEAT ('69-'73)

ITEM NAME	PART NUMBER	QUANTITY
SEAT,DUAL (Ref # 1~9)	53001-045	1
SEAT-ASSY,DUAL (Ref # 1~10)	53001-067	1
HOOK (Ref # 2)	53008-004	1
HINGE A (Ref # 3)	53009-006	1
HINGE B (Ref # 4)	53009-008	1
SPRING,HOOK (Ref # 5)	53012-013	1
DAMPER RUBB DUAL SEAT (Ref # 6)	92075-023	5
PIN DUAL SEAT PIVOT (Ref # 7)	53011-001	3
BOLT-UPSET 6X14 (Ref # 8)	112B0614	4
WASHER SPRING 6MM (Ref # 9)	461F0600	4
PIN COTTER 2.0X15 (Ref # 10)	550D2015	3
BAND TOOL (Ref # 11)	92072-010	1
PIN,SNAP (Ref # 12)	554A0800	2
WASHER SPRING 6MM (Ref # 21)	461F0600	4
PIN COTTER 2.0X15 (Ref # 22)	550D2015	1
PIN DUAL SEAT PIVOT (Ref # 23)	53011-001	2