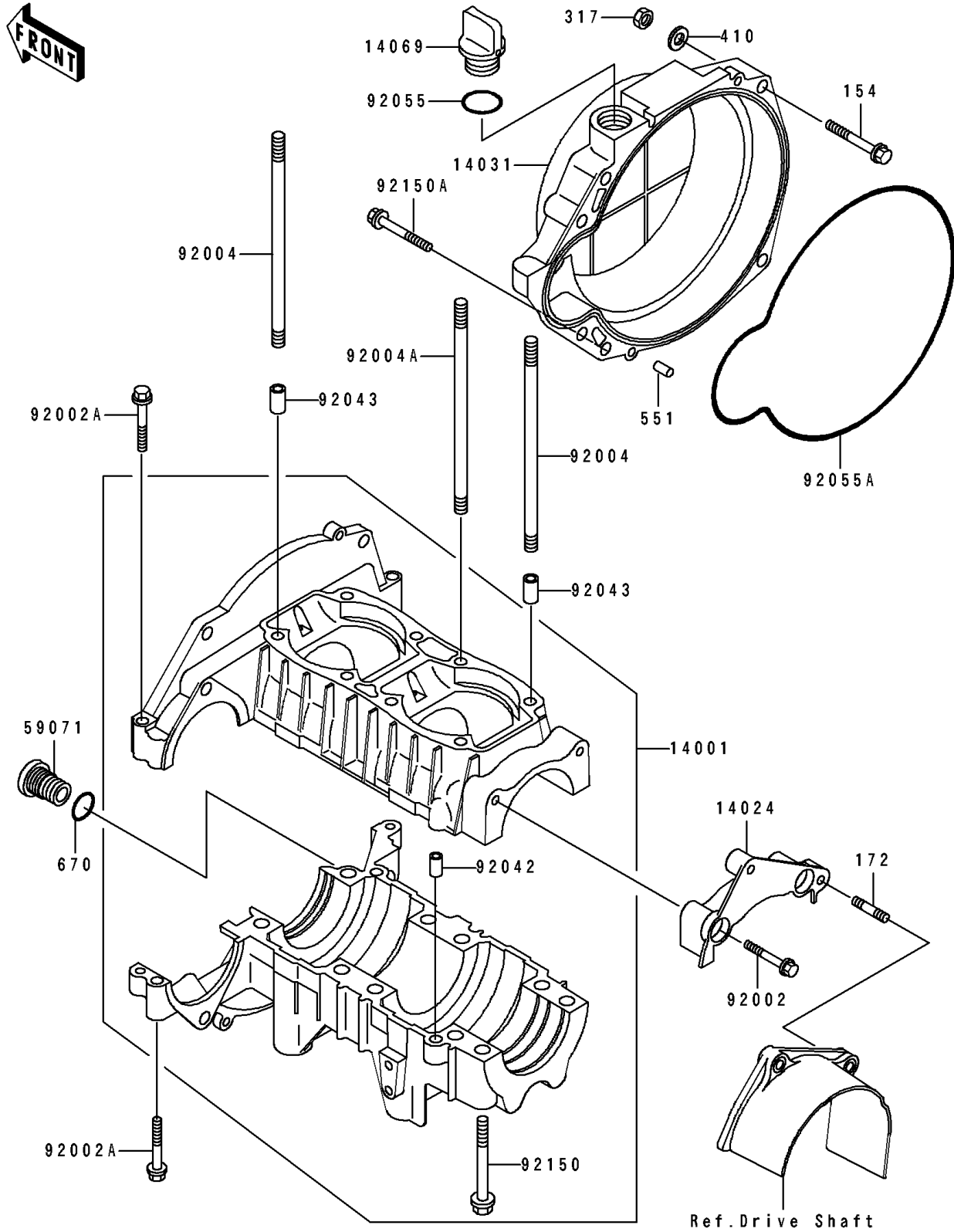


1992 550 SX PARTS DIAGRAM

Crankcase

E1411



1992 550 SX PARTS LIST

Crankcase

ITEM NAME	PART NUMBER	QUANTITY
SET-CRANKCASE (Ref # 14001)	14001-5290	1
COVER,COUPLING COVER (Ref # 14024)	14024-3811	1
COVER-GENERATOR (Ref # 14031)	14031-3708	1
BREATHER (Ref # 14069)	14069-3709	1
JOINT (Ref # 59071)	59071-516	1
BOLT,6X35 (Ref # 92002)	92002-3715	2
BOLT,6X40 (Ref # 92002A)	92002-3716	3
STUD,8X175 (Ref # 92004)	92004-3729	2
STUD,8X167 (Ref # 92004A)	92004-507	6
PIN,DOWEL,6.3X8X14 (Ref # 92042)	92042-007	2
PIN,DOWEL,10X14 (Ref # 92043)	92043-1037	2
RING-O (Ref # 92055)	92055-515	1
RING-O (Ref # 92055A)	92055-521	1
BOLT,8X65 (Ref # 92150)	92150-3708	10
BOLT,8X45 (Ref # 92150A)	92150-3785	2
BOLT-WP-SMALL (Ref # 154)	154R0845	2
BOLT-STUD (Ref # 172)	172R0620	2
NUT-HEX-SMALL (Ref # 317)	317R0800	2
WASHER-PLAIN-SMALL,8MM (Ref # 410)	410S0800	2
PIN-DOWEL (Ref # 551)	551R0612	2
O RING,16MM (Ref # 670)	670B2016	1