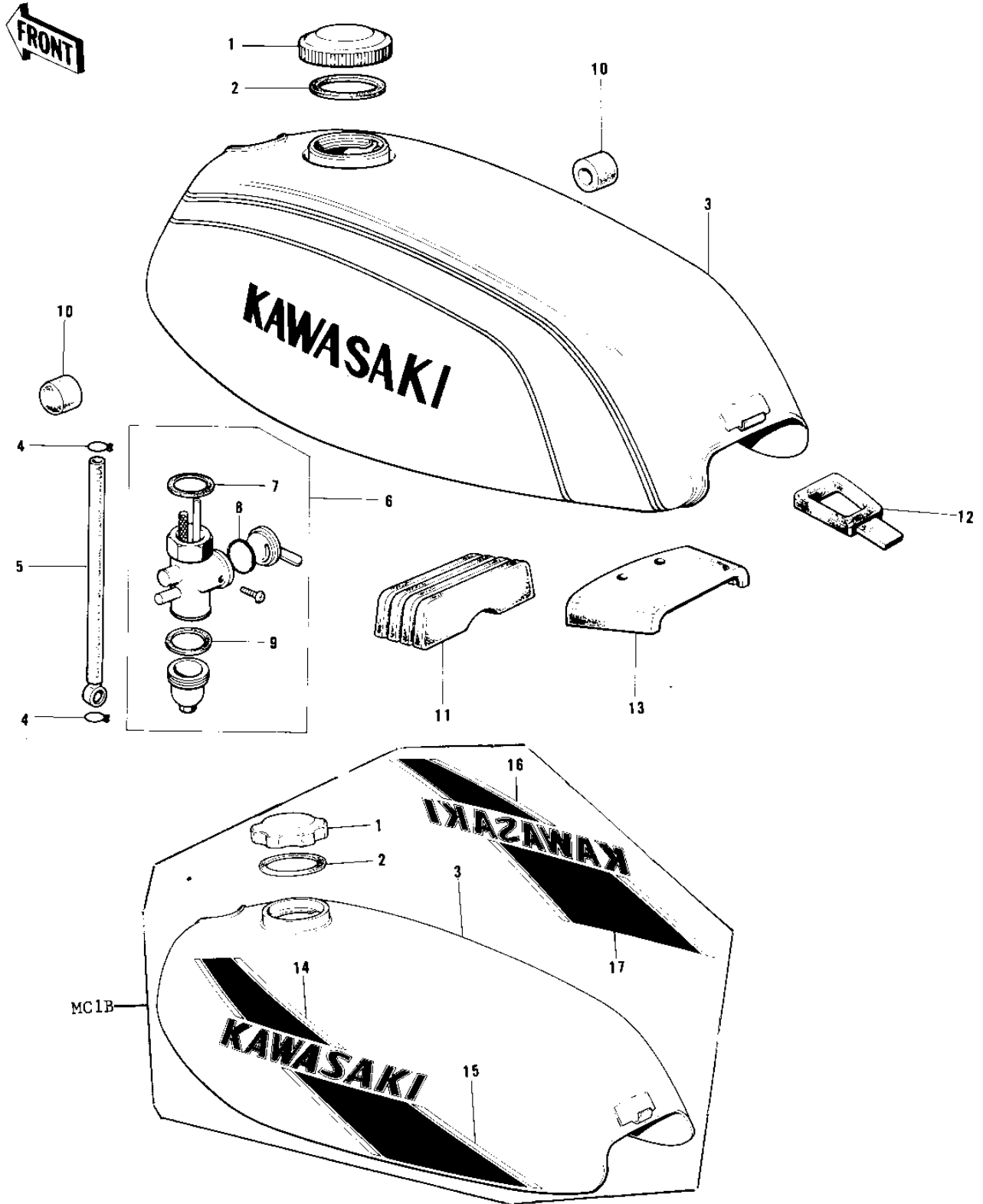


# 1973 Midi-Bike PARTS DIAGRAM

FUEL TANK (73-75 MC1/MC1-A/MC1-B)



# 1973 Midi-Bike PARTS LIST

FUEL TANK ('73-'75 MC1/MC1-A/MC1-B)

ITEM NAME	PART NUMBER	QUANTITY
CAP,FUEL TANK LOCKING (Ref # 1)	51048-006	1
CAP,FUEL TANK (Ref # 1)	51048-1013	1
CAP,FUEL TANK (Ref # 1)	51048-1013	1
GASKET FUEL TANK CAP (Ref # 2)	51059-003	1
GASKET,FUEL TANK CAP (Ref # 2)	51059-011	1
TANK-FUEL,C.RED (Ref # 3)	51001-088-92	1
TANK-FUEL,C.BLUE (Ref # 3)	51001-088-1N	1
TANK-FUEL,C.O.BLUE (Ref # 3)	51001-088-2Z	1
TANK-FUEL,C.RED (Ref # 3)	51001-088-3A	1
CLAMP FUEL PIPE (Ref # 4)	92037-010	2
PIPE-OIL (Ref # 5)	92059-072	1
TAP-ASSY,FUEL (Ref # 6)	51023-1123	1
GASKET,FUEL TAP JOINT (Ref # 7)	11009-1567	1
'O' RING FUEL COCK (Ref # 8)	92065-062	1
GASKET FUEL COCK CUP (Ref # 9)	51037-008	1
DAMPER RUBBER (Ref # 10)	92075-044	2
DAMPER RUBBER,FL TANK (Ref # 11)	92075-195	1
BAND-FUEL TANK (Ref # 12)	92072-036	1
DAMPER RUBBER,FL TANK (Ref # 13)	92075-230	1
DECAL, FUEL TANK L.H. UPPER (Ref # 14)	56027-225-SP	1
DECAL, FUEL TANK L.H. LOWER (Ref # 15)	56027-226-SP	1
DECAL, FUEL TANK RH. UPPER (Ref # 16)	56027-227-SP	1
DECAL, FUEL TANK RH. LOWER (Ref # 17)	56027-228-SP	1