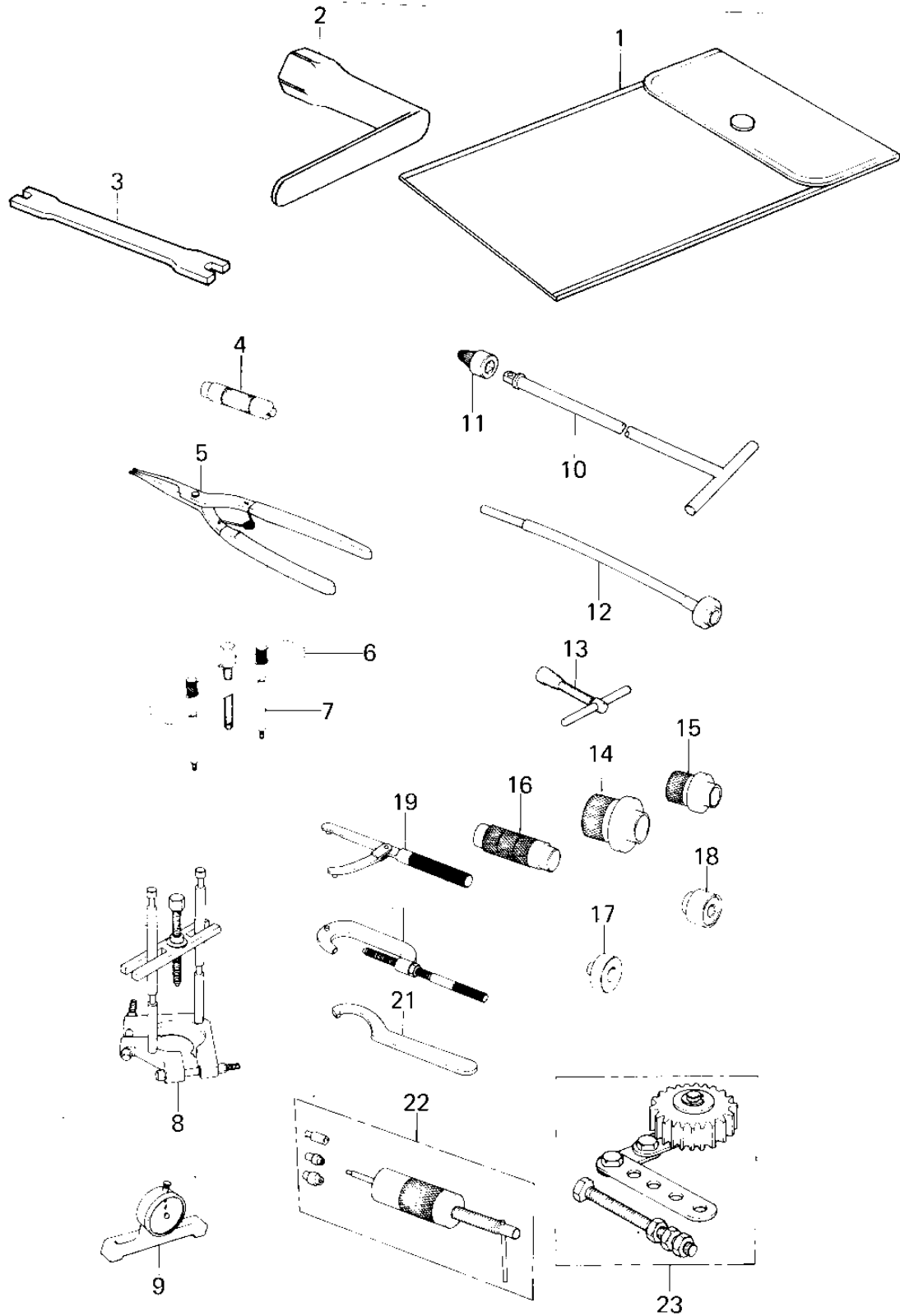


1980 KDX80 PARTS DIAGRAM

OWNER TOOLS/SPECIAL SERVICE TOOLS



1980 KDX80 PARTS LIST

OWNER TOOLS/SPECIAL SERVICE TOOLS

ITEM NAME	PART NUMBER	QUANTITY
BAG,TOOL (Ref # 1)	56008-008	1
WRENCH,SPARK PLUG (Ref # 2)	92110-019	1
TIGHTENER,SPOKE (Ref # 3)	92108-011	1
*** N.L.A.*** (Canada) (Ref # 4)	57001-139	1
PLIERS,CIRCLIP,OUTSID (Ref # 5)	57001-144	1
57001-1098 (Canada) (Ref # 6)	57001-153	1
ADAPTER-CRNNKSE SPLIT (Ref # 7)	57001-157	1
PULLER,STEM BEARING (Ref # 8)	57001-158	1
FINDER-TDC (Ref # 9)	57001-160	1
HANDLE,FORK CLY HOLDR (Ref # 10)	57001-183	1
ADAPTER,FORK CYL HLDR (Ref # 11)	57001-1011	1
GAUGE,FUEL LEVEL (Ref # 12)	57001-202	1
PULLER,FLYWHEL MAGNET (Ref # 13)	57001-252	1
GUIDE,OIL SEAL (Ref # 14)	57001-263	1
GUIDE,SHIFT OIL SEAL (Ref # 15)	57001-264	1
57001-1129 (Canada) (Ref # 16)	57001-286	1
57001-1129 (Canada) (Ref # 17)	57001-289	1
*** N.L.A.*** (Canada) (Ref # 18)	57001-291	1
57001-1343 (Canada) (Ref # 19)	57001-306	1
57001-1243 (Canada) (Ref # 20)	57001-307	1
57001-1100 (Canada) (Ref # 21)	57001-320	1
PULLER-PISTON PIN (Ref # 22)	57001-910	1
HOLDER,GEAR (Ref # 23)	57001-1015	1