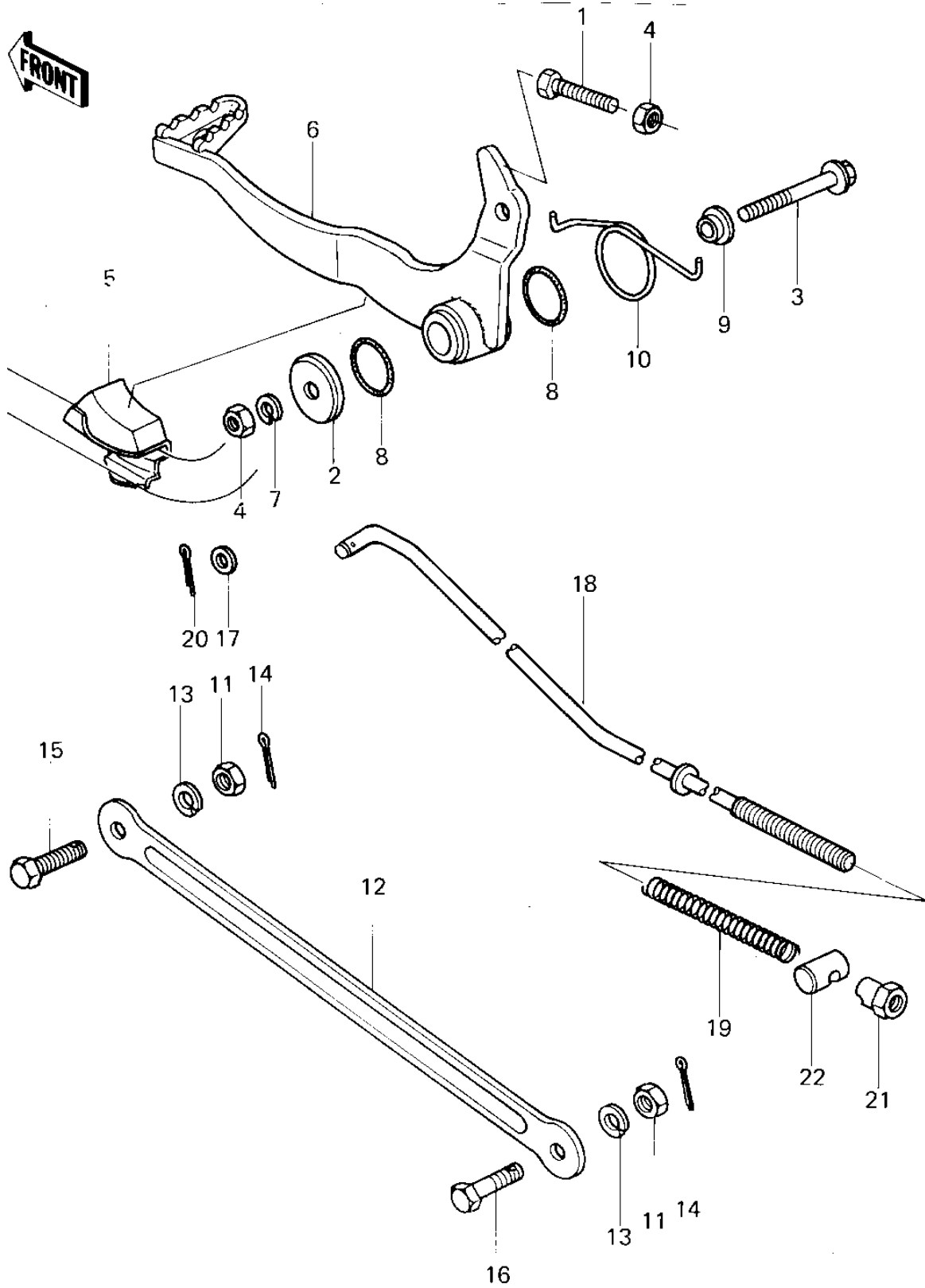


## 1980 KDX80 PARTS DIAGRAM

BRAKE PEDAL/TORQUE LINK



## 1980 KDX80 PARTS LIST

### BRAKE PEDAL/TORQUE LINK

ITEM NAME	PART NUMBER	QUANTITY
BOLT 6X22 (Ref # 1)	112B0622	1
CAP,BRAKE PEDAL (Ref # 2)	11012-1038	1
BOLT,FLANGED,6X40 (Ref # 3)	130B0640	1
NUT 6MM (Ref # 4)	311B0600	1
PAD,BRAKE PEDAL (Ref # 5)	39156-1001	1
PEDAL,BRAKE (Ref # 6)	43001-1018	1
WASHER SPRING 6MM (Ref # 7)	461F0600	1
"O" RING,20MM (Ref # 8)	670B2020	1
COLLAR,BRAKE PEDAL (Ref # 9)	92027-1168	1
SPRING,BRAKE PEDAL (Ref # 10)	92081-1067	1
NUT,10MM (Ref # 11)	314B1000	1
ROD,TORQUE,REAR BRAKE (Ref # 12)	43007-1006	1
WASHER SPRING 10MM (Ref # 13)	461F1000	1
PIN COTTER 2.0X15 (Ref # 14)	550D2015	2
BOLT TORQUE LINK FIT (Ref # 15)	92003-017	1
BOLT (Ref # 16)	92003-096	1
WASHER PLAIN 6MM (Ref # 17)	410B0600	1
ROD,BRAKE (Ref # 18)	43011-1023	1
SPRING,BRAKE ROD (Ref # 19)	43012-001	1
NUT-BRAKE ROD ADJUST (Ref # 21)	92015-042	1
PIN BRAKE (Ref # 22)	92043-039	1