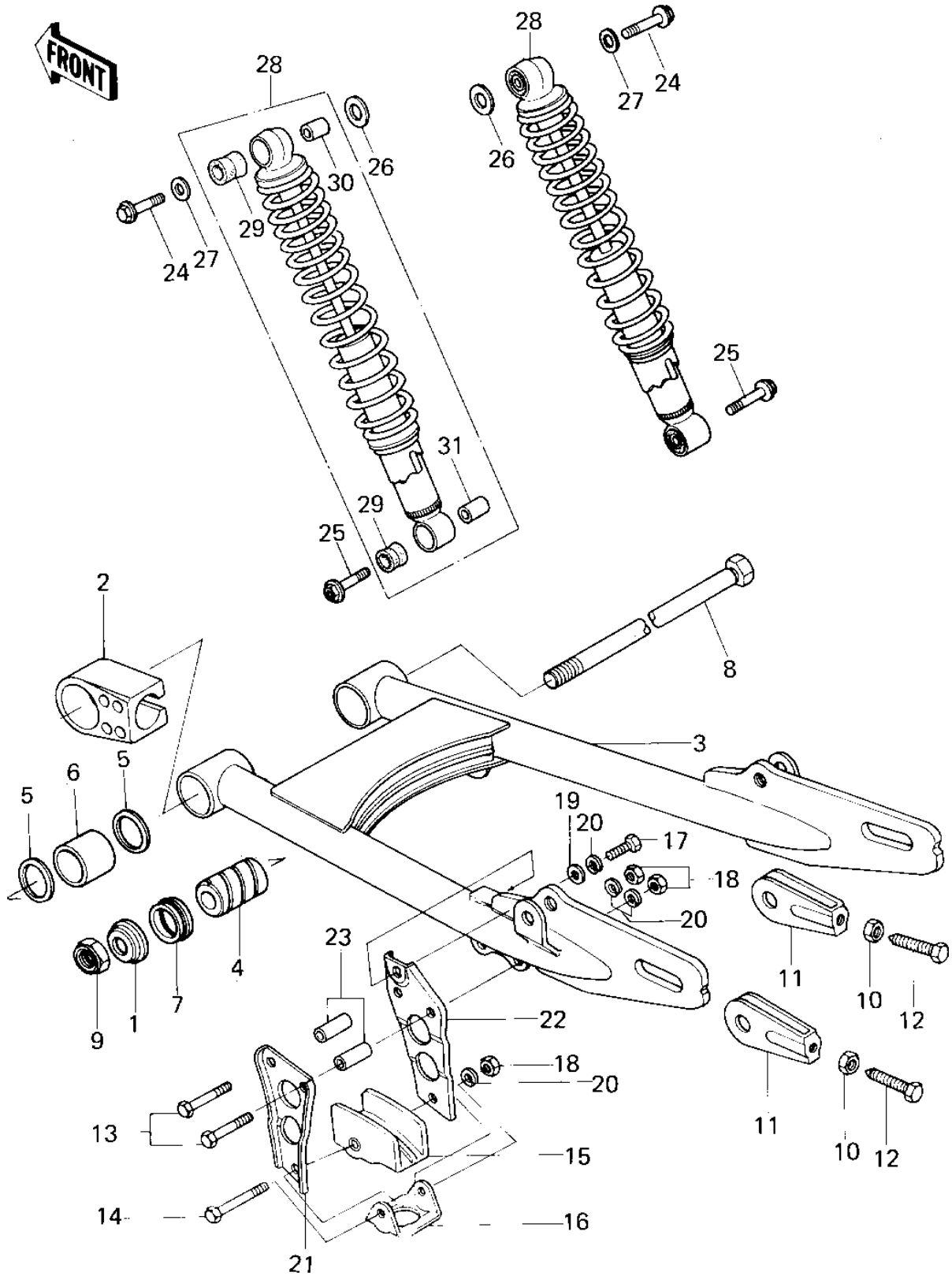


1980 KDX80 PARTS DIAGRAM

SWING ARM/SHOCK ABSORBERS



1980 KDX80 PARTS LIST

SWING ARM/SHOCK ABSORBERS

ITEM NAME	PART NUMBER	QUANTITY
CAP,SWING ARM (Ref # 1)	11012-1110	1
GUIDE,CHAIN (Ref # 2)	12053-1029	1
ARM,SWING,C.SILVER (Ref # 3)	33001-1053	1
SLEEVE,SWING ARM (Ref # 4)	42036-1033	1
SHIM,22.1X27.6X0.5 (Ref # 5)	92025-1197	1
BUSHING,22X28X23.5 (Ref # 6)	92028-1078	1
OIL SEAL (Ref # 7)	92049-1053	1
SHAFT,SWING ARM PIVOT (Ref # 8)	33032-1007	1
NUT (Ref # 9)	92015-1774	1
NUT 6MM (Ref # 10)	311B0600	2
ADJUSTER,CHAIN (Ref # 11)	33040-1009	1
BOLT,6X38 (Ref # 12)	92001-1463	1
BOLT 6X35 (Ref # 13)	110R0635	1
BOLT-UPSET (Ref # 14)	112G0645	1
GUIDE,CHAIN (Ref # 15)	12053-1030	1
RETAINER,CHAIN GUIDE (Ref # 16)	14020-1006	1
BOLT-UPSET 6X14 (Ref # 17)	112B0614	1
WASHER PLAIN 6MM (Ref # 19)	411B0600	1
WASHER SPRING 6MM (Ref # 20)	461F0600	1
GUARD,CHAIN,OUTSIDE (Ref # 21)	55020-1017	1
GUARD,CHAIN,INSIDE (Ref # 22)	55020-1018	1
SPACER,10X13.2X22 (Ref # 23)	92026-1040	1
BOLT-FLANGED,6X10 (Ref # 24)	130G0610	1
BOLT,FLANGED,10X33 (Ref # 25)	92001-1308	1
WASHER,12.3X22X1.6 (Ref # 26)	92022-1065	1
WASHER 6.5X22X1.6T (Ref # 27)	92022-237	1
SHOCK ABSBR RR (Ref # 28)	45014-1057	1
BUSHING, SHCK ABS RUB (Ref # 29)	45017-012	1
COLLAR,SHOCK ABSORBER (Ref # 30)	92027-1016	1

1980 KDX80 PARTS LIST

SWING ARM/SHOCK ABSORBERS

ITEM NAME	PART NUMBER	QUANTITY
BUSHING,SHOCK ABSORB (Ref # 31)	45016-008	1
CAP,SWING ARM (Ref # 32)	11012-1065	1
SLEEVE,SWING ARM (Ref # 33)	42036-1022	1
BEARING-NEEDLE,HK2216 (Ref # 34)	92046-1115	1