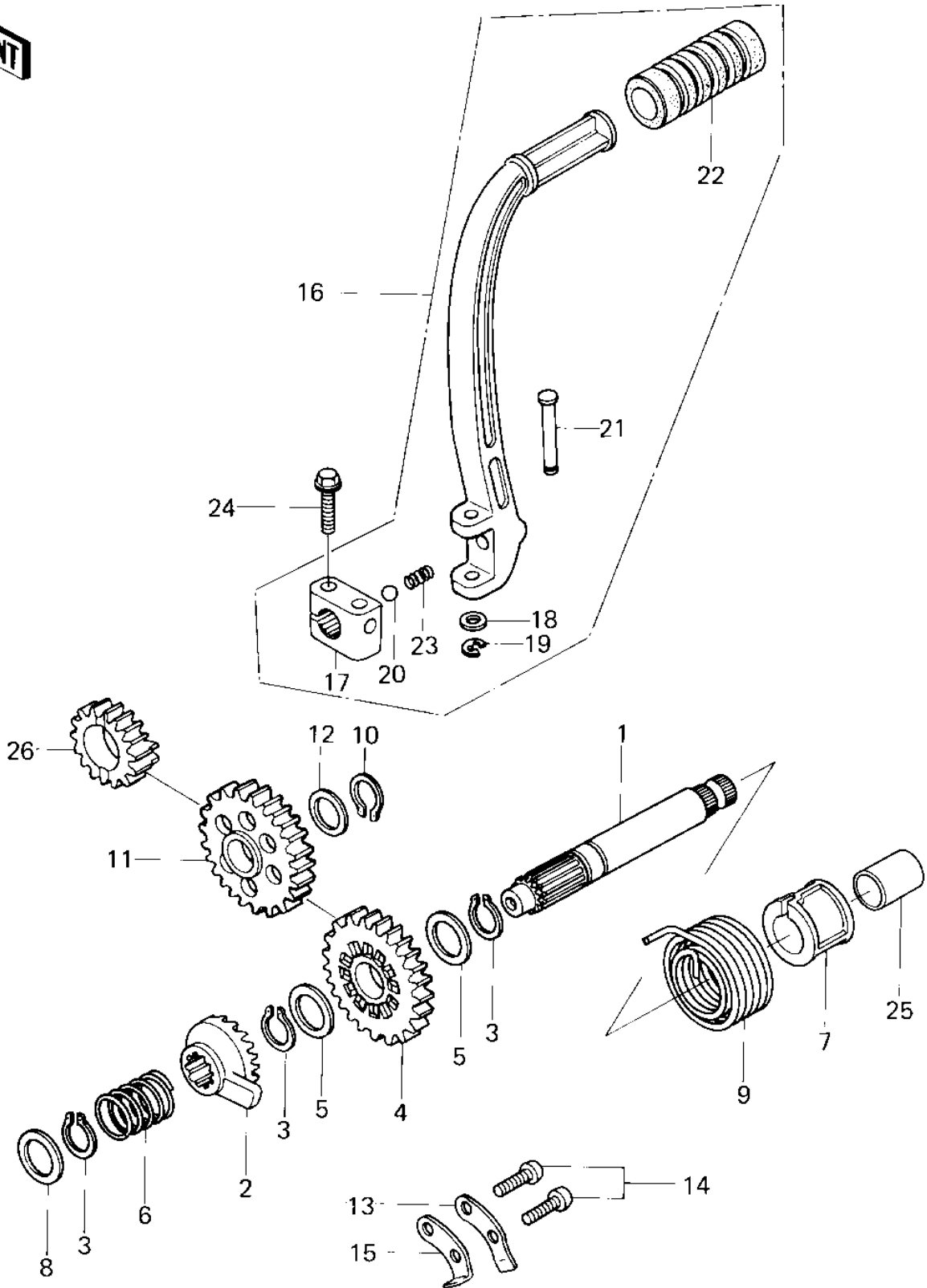


1980 KDX80 PARTS DIAGRAM

KICKSTARTER MECHANISM



1980 KDX80 PARTS LIST

KICKSTARTER MECHANISM

ITEM NAME	PART NUMBER	QUANTITY
SHAFT,KICK (Ref # 1)	13066-1008	1
RATCHET (Ref # 2)	13078-1001	1
CIRCLIP 16MM (Ref # 3)	480J1600	1
GEAR,KICK,31T (Ref # 4)	59051-1015	1
WASHER,PLAIN (Ref # 5)	92022-315	1
SPRING,RATCHET (Ref # 6)	92081-122	1
GUIDE,KICK (Ref # 7)	13070-1018	1
WASHER,PLAIN (Ref # 8)	92022-269	1
SPRING,KICK (Ref # 9)	92081-1108	1
CIRCLIP 15MM (Ref # 10)	480J1500	1
GEAR,IDLE,31T (Ref # 11)	59051-1014	1
SPACER,15X21X0.5 (Ref # 12)	92026-1035	1
GUIDE,KICK (Ref # 13)	13206-1002	1
SCREW PAN HEAD 6X16 (Ref # 14)	220B0616	1
STOPPER,KICK (Ref # 15)	32085-1027	1
PEDAL ASSY,KICK (Ref # 16)	13064-1010	1
BOSS,KICK PEDAL (Ref # 17)	13061-1021	1
WASHER PLAIN 6MM (Ref # 18)	410B0600	1
CIRCLIP 5MM (Ref # 19)	482K5000	1
BALL STEEL 1/4' (Ref # 20)	600A0800	1
PIN,KICK PEDAL (Ref # 21)	92043-1050	1
DAMPER RUBB,GEAR CHNG (Ref # 22)	92075-1021	1
SPRING KICK PEDAL (Ref # 23)	92081-020	1
BOLT,FLANGED,6X22 (Ref # 24)	92001-1352	1
BOOT,KICK SHAFT (Ref # 25)	49006-1023	1
GEAR,KICK PINION,18T (Ref # 26)	59051-1013	1