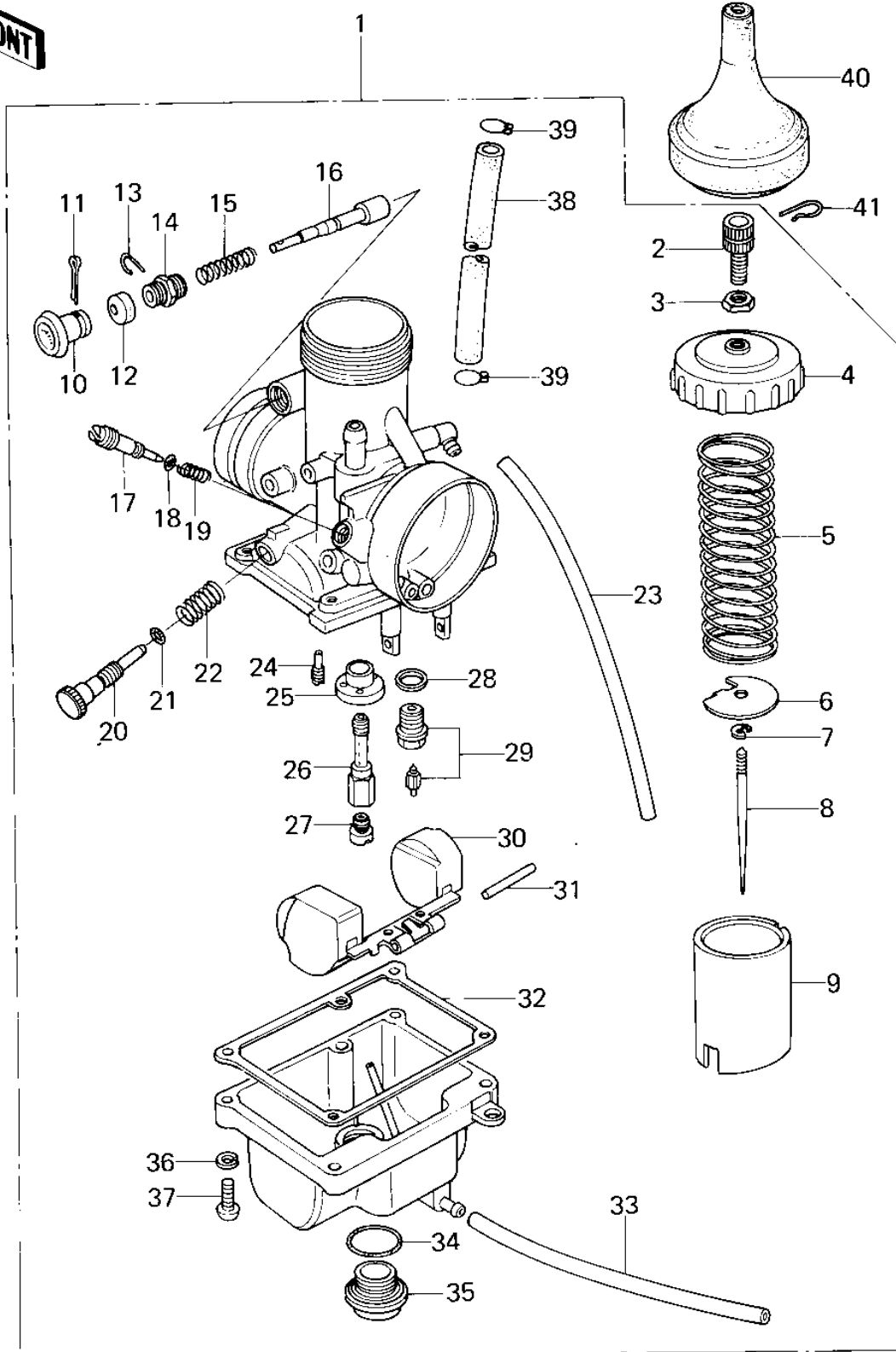


# 1980 KX80 PARTS DIAGRAM

CARBURETOR (KX80-A1)



# 1980 KX80 PARTS LIST

CARBURETOR (KX80-A1)

ITEM NAME	PART NUMBER	QUANTITY
CARBURETOR ASSY (Ref # 1)	16001-1096	
CABLE ADJUSTER (Ref # 2)	16002-011	
NUT-CABLE ADJUST LOCK (Ref # 3)	16003-006	
CAP,MIXING CHAMBER (Ref # 4)	16004-025	
SPRING,THROTTLE VALV (Ref # 5)	16006-023	
SPRING SEAT,THRTL VL (Ref # 6)	16007-023	
CIRCLIP (Ref # 7)	16008-010	
JET NEEDLE,4J28 (Ref # 8)	16009-1034	
VALVE,THROTTLE,C.A1.5 (Ref # 9)	16025-1028	
KNOB,STARTER PLUNGER (Ref # 10)	92077-1009	
PIN COTTER 1.6X15 (Ref # 11)	550D1615	
CAP,STARTER PLUNGER (Ref # 12)	16036-012	
CIRCLIP (Ref # 13)	92037-1077	
CAP,STARTER PLUNGER (Ref # 14)	16012-021	
SPRING,STARTER PLUNGR (Ref # 15)	16013-011	
PLUNGER ASSY,STARTER (Ref # 16)	16016-1004	
SCREW,PILOT AIR (Ref # 17)	16014-1013	
"O" RING (Ref # 18)	16038-022	
SPRING,AIR SCREW (Ref # 19)	92081-1153	
SCREW,THROTTLE ADJST (Ref # 20)	16021-1012	
"O" RING (Ref # 21)	92055-044	
SPRING,THROTTLE ADJST (Ref # 22)	92081-1152	
TUBE,3X5X300 (Ref # 23)	92059-1755	
PILOT JET,#35 (Ref # 24)	92064-1023	
HOLDER,NEEDLE JET (Ref # 25)	16065-1020	
NEEDLE JET,O-0 (Ref # 26)	16017-1037	
JET-MAIN NO 132.5R (Ref # 27)	92063-103	
JET-MAIN,#A127.5 (Ref # 27)	92063-1100	
MAIN JET NO 130R (Ref # 27)	92063-057	

# 1980 KX80 PARTS LIST

CARBURETOR (KX80-A1)

ITEM NAME	PART NUMBER	QUANTITY
MAIN JET NO 135R (Ref # 27)	92063-104	
MAIN JET,#A137.5 (Ref # 27)	92063-1087	
WASHER FLOAT VLV SEAT (Ref # 28)	16029-004	
FLOAT VALVE ASSY,2.6 (Ref # 29)	16030-1004	
FLOAT (Ref # 30)	16031-1005	
FLOAT PIN (Ref # 31)	16032-003	
GASKET,FLOAT CHAMBER (Ref # 32)	11009-1147	
TUBE,3X5X300 (Ref # 33)	92059-1755	
"0" RING,MAIN JET COV (Ref # 34)	92055-1061	
COVER,MAIN JET (Ref # 35)	16049-1001	
WASHER SPRING 4MM (Ref # 36)	461F0400	
SCREW PAN HEAD 4X16 (Ref # 37)	220B0416	
TUBE,5.3X10.5X155 (Ref # 38)	92059-1080	
CLAMP-PIPE (Ref # 39)	92037-072	
BOOT,CARBURETOR (Ref # 40)	49006-1024	
CIRCLIP (Ref # 41)	92036-018	