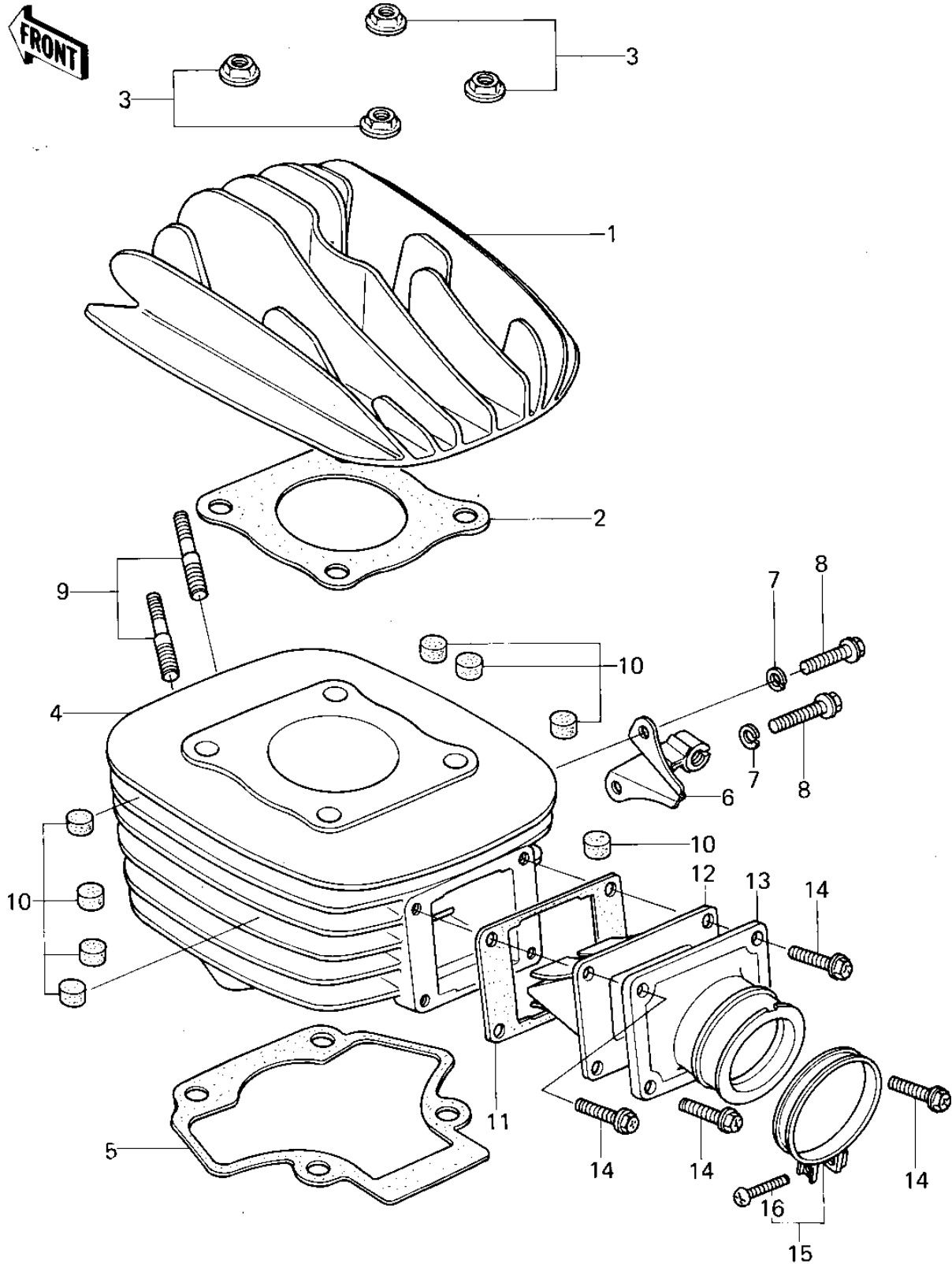


1980 KX80 PARTS DIAGRAM

CYLINDER HEAD/CYLINDER/REED VALVE



1980 KX80 PARTS LIST

CYLINDER HEAD/CYLINDER/REED VALVE

ITEM NAME	PART NUMBER	QUANTITY
HEAD,CYLINDER,H.BLACK (Ref # 1)	11001-1012	
HEAD,CYLINDER,F.BLACK (Ref # 1)	11001-1020	
GASKET,HEAD,CYLINDER (Ref # 2)	11004-1013	
NUT,8M/M (Ref # 3)	92015-1014	
CYLINDER,F.BLACK (Ref # 4)	11005-1032	
CYLINDER,FLAT BLACK (Ref # 4)	11005-1053	
GASKET,CYLINDER BASE (Ref # 5)	11009-1153	
GASKET,CYLINDER BASE (Ref # 5)	11009-1153	
HOLDER,CABLE,CLUTCH (Ref # 6)	14044-1004	
WASHER SPRING 6MM (Ref # 7)	461F0600	
BOLT,FLANGED,6X22 (Ref # 8)	92001-1352	
STUD (Ref # 9)	92004-029	
DAMPER RUBBER-CYL-HD (Ref # 10)	92075-109	
GASKET,REED VALVE (Ref # 11)	11009-1109	
VALVE ASSY,REED (Ref # 12)	12021-1005	
HOLDER,VALVE,REED (Ref # 13)	12023-1005	
HOLDER,VALVE REED (Ref # 13)	12023-1007	
BOLT,FLANGED,6X22 (Ref # 14)	92001-1352	
BOLT,FLANGED,6X20 (Ref # 14)	130G0620	
CLAMP,HOLDER (Ref # 15)	92037-077	
CLAMP (Ref # 15)	92037-1172	
SCREW,PAN HEAD (Ref # 16)	92011-037	
SCREW PAN HEAD 4X25 (Ref # 16)	220B0425	