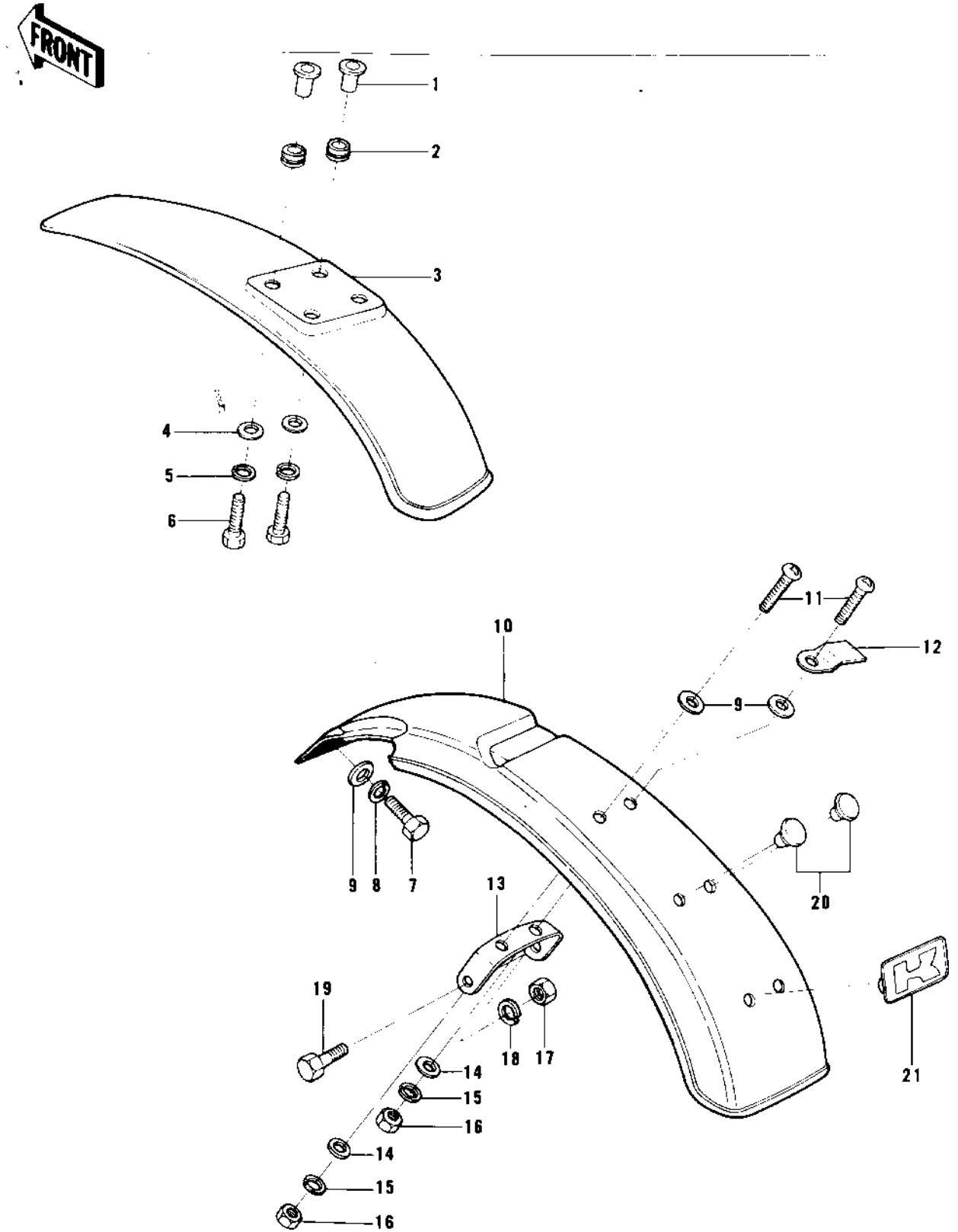


1975 KD80 PARTS DIAGRAM

FENDERS



1975 KD80 PARTS LIST

FENDERS

ITEM NAME	PART NUMBER	QUANTITY
COLLAR (Ref # 1)	92027-153	1
DAMPER RUBBER (Ref # 2)	92075-103	1
FENDER-FR,BLACK (Ref # 3)	35004-080-10	1
WASHER 6.5X20X1.6T (Ref # 4)	92022-125	2
WASHER SPRING 6MM (Ref # 5)	461F0600	3
BOLT-UPSET (Ref # 6)	112G0618	1
BOLT-UPSET 6X14 (Ref # 7)	112B0614	1
FENDER,REAR,BLACK (Ref # 10)	35022-094-10	1
SCREW PAN HEAD 6X16 (Ref # 11)	220B0616	1
CLAMP CABLE (Ref # 12)	92037-020	1
BRACKET,REAR FENDER (Ref # 13)	35025-025	1
WASHER PLAIN 6MM (Ref # 14)	411B0600	1
NUT 6MM (Ref # 16)	311B0600	1
NUT-HEX-FINE,12MM (Ref # 17)	315B1200	1
WASHER SPRING 12MM (Ref # 18)	461F1200	1
BOLT,HEX HEAD,12X26 (Ref # 19)	113B1226A	1
PLUG,RR FENDR RUBBER (Ref # 20)	92074-034	1
PLUG,RR FENDR RUBBER (Ref # 21)	92074-033	1