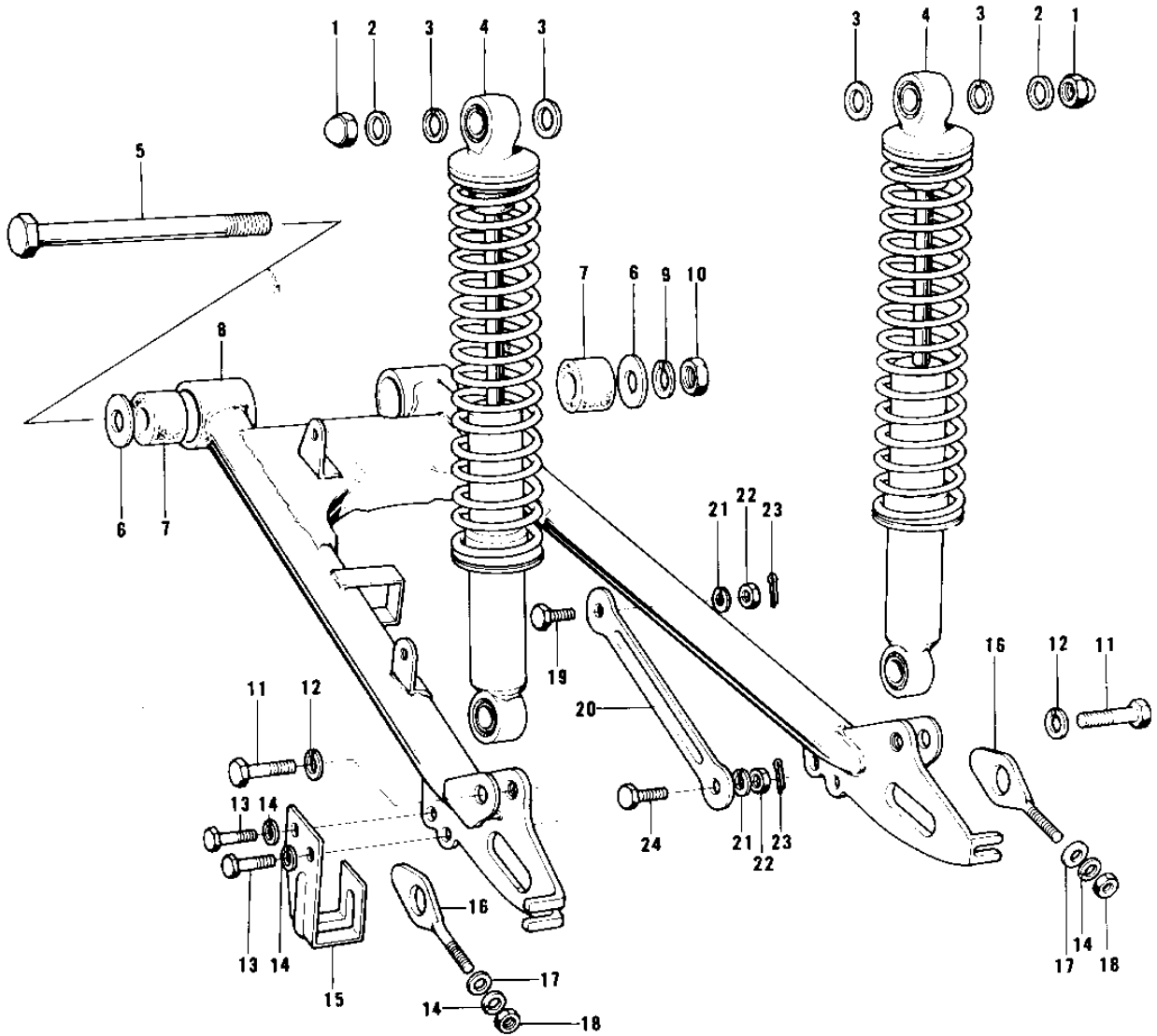


1976 KD80 PARTS DIAGRAM

SWING ARM/SHOCK ABSORBERS



1976 KD80 PARTS LIST

SWING ARM/SHOCK ABSORBERS

ITEM NAME	PART NUMBER	QUANTITY
NUT 12MM (Ref # 1)	92020-014	
WASHER SPRING 12MM (Ref # 2)	461F1200	
WASHER PLAIN 12MM (Ref # 3)	410B1200	
SHOCK ABSBR RR (Ref # 4)	45014-100	
SHAFT,SWING ARM PIVOT (Ref # 5)	33032-043	
WASHER PLAIN 12MM (Ref # 6)	410B1200	
BUSH SWING ARM SHAFT (Ref # 7)	92092-005	
ARM,SWINGING (Ref # 8)	33001-055	
WASHER SPRING 12MM (Ref # 9)	461F1200	
NUT-HEX-FINE (Ref # 10)	314B1200	
BOLT HEX HEAD 10X28 (Ref # 11)	113N1028	
WASHER SPRING 10MM (Ref # 12)	461F1000	
BOLT-UPSET 6X14 (Ref # 13)	112B0614	
WASHER SPRING 6MM (Ref # 14)	461F0600	
GUARD,CHAIN (Ref # 15)	55020-012	
ADJUSTER CHAIN (Ref # 16)	33040-008	
WASHER PLAIN (Ref # 17)	92022-024	
NUT 6MM (Ref # 18)	311B0600	
BOLT TORQUE LINK FIT (Ref # 19)	92003-017	
TORQUE LINK,RR BRAKE (Ref # 20)	43007-037	
WASHER SPRING 10MM (Ref # 21)	461F1000	
NUT,10MM (Ref # 22)	314B1000	
PIN COTTER 2.0X15 (Ref # 23)	550D2015	
BOLT HEX HEAD 10X25 (Ref # 24)	92003-003	