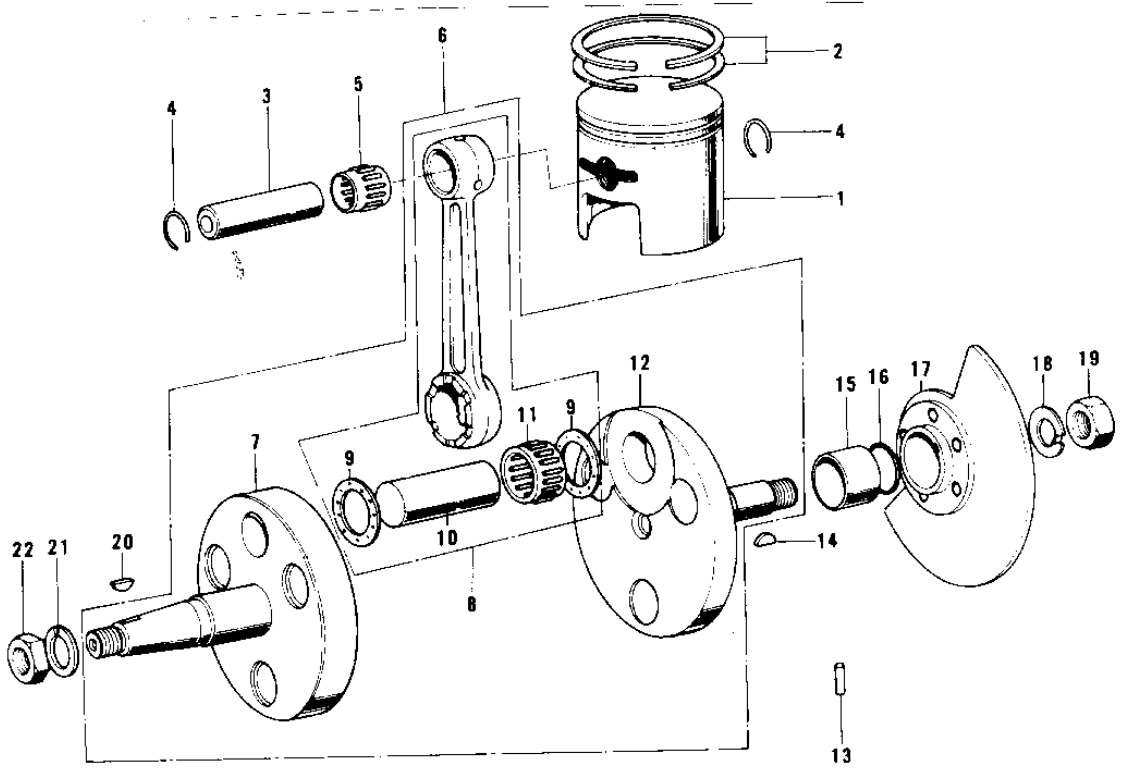


# 1975 KD80 PARTS DIAGRAM

CRANKSHAFT/PISTON/ROTARY VALVE



# 1975 KD80 PARTS LIST

## CRANKSHAFT/PISTON/ROTARY VALVE

ITEM NAME	PART NUMBER	QUANTITY
PISTON,STD (Ref # 1)	13001-061	1
PISTON,0.020 O/S (Ref # 1)	13029-061	1
PISTON,0.040 O/S (Ref # 1)	13027-059	1
RING SET,STD (Ref # 2)	13008-047	1
RING SET,0.020 O/S (Ref # 2)	13025-051	1
RING SET,0.040 O/S (Ref # 2)	13024-052	1
PIN-PISTON (Ref # 3)	13002-003	1
CIRCLIP PISTON PIN (Ref # 4)	92036-003	2
BEARING,SMALL END (Ref # 5)	13033-030	1
CRANKSHAFT,L.H (Ref # 7)	13037-068	1
CONNECTING ROD SET (Ref # 8)	13044-5015	1
WASHER-SIDE (Ref # 9)	92025-047	2
CRANK PIN (Ref # 10)	13035-025	1
BEARING,BIG END (Ref # 11)	13034-034	1
CRANKSHAFT,R.H (Ref # 12)	13038-057	1
PIN DOWEL 4X10 (Ref # 13)	610A0410	1
WOODRUFF KEY PRY PINI (Ref # 14)	92038-003	1
COLLAR CRANKSHAFT (Ref # 15)	92027-022	1
"O" RING,16MM (Ref # 16)	670B2016	1
VALVE ROTARY DISC (Ref # 17)	12001-004	1
WASHER LOCK 12MM (Ref # 18)	92024-003	1
NUT 12MM (Ref # 19)	92015-006	1
WOODRUFF KEY (Ref # 20)	510A3200	1
WASHER SPRING 10MM (Ref # 21)	461F1000	1
NUT,10MM (Ref # 22)	314B1000	1