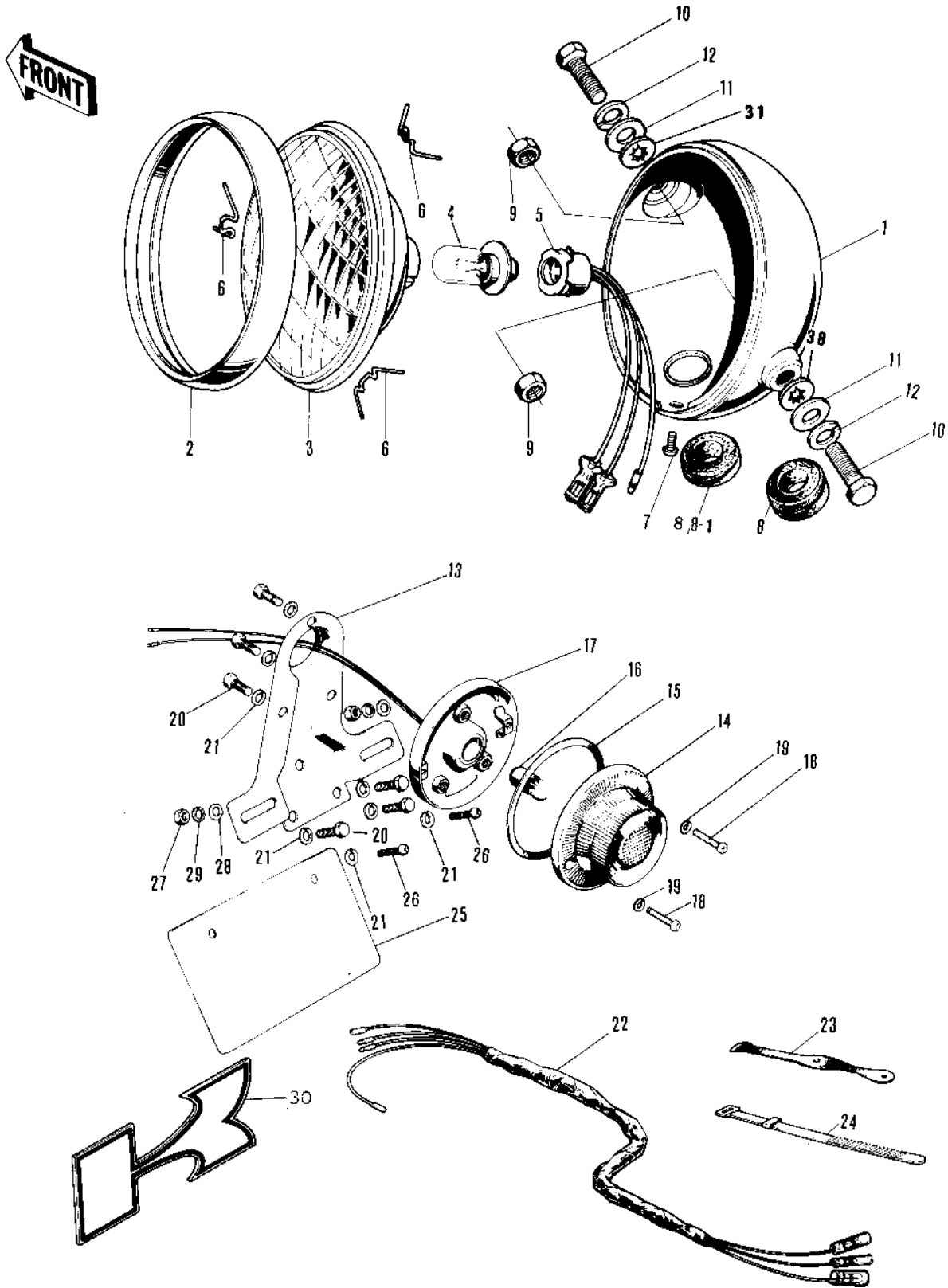


1979 KV75-A8 PARTS DIAGRAM

HEADLIGHT/TAILLIGHT/CHASSIS ELECTRICAL E



1979 KV75-A8 PARTS LIST

HEADLIGHT/TAILLIGHT/CHASSIS ELECTRICAL E

ITEM NAME	PART NUMBER	QUANTITY
BODY,HD LIGHT,FL BLCK (Ref # 1)	23005-1006-21	2
LAMP UNIT-HEAD (Ref # 2 7)	23004-023	1
RIM,HEAD LAMP (Ref # 2)	23006-043	1
LENS UNIT-HEAD LAMP (Ref # 3)	23007-010	1
BULB 6V 25/25W (Ref # 4)	92069-031	1
SOCKET HEAD LAMP (Ref # 5)	23008-009	1
CLAMP,HEAD LAMP LENS (Ref # 6)	23009-014	2
SCREW OVL CNTSNK 5X8 (Ref # 7)	222E0508A	1
SCREW,PAN HEAD,5X14 (Ref # 7)	23019-025	1
GROMMET WIRING HARNES (Ref # 8)	23023-007	1
GROMMET (Ref # 8-1)	23023-011	1
NUT 10MM (Ref # 9)	92016-027	1
BOLT-UPSET,10X20 (Ref # 10)	112B1020	1
WASHER PLAIN 10MM (Ref # 11)	411B1000	1
WASHER SPRING 10MM (Ref # 12)	461F1000	1
BKT-TAIL LAMP,BLACK (Ref # 13)	35028-005-10	1
LAMP ASSY-TAIL (Ref # 14 19)	23025-035	1
LENS-TAIL LAMP (Ref # 14)	23026-009	1
GASKET-TAIL LAMP LENS (Ref # 15)	23028-012	1
BULB 6V 10/3W (Ref # 16)	92069-020	1
SOCKET-TAIL LAMP (Ref # 17)	23027-025	1
SCREW-PAN HEAD,4X10 (Ref # 18)	220E0410A	1
WASHER SPRING 4MM (Ref # 19)	461F0400	1
BOLT-UPSET,6X12 (Ref # 20)	112G0612	1
WASHER PLAIN 6MM (Ref # 21)	410B0600	2
WIRING HARNESS,MAIN (Ref # 22)	26001-057	1
BAND RUBBER (Ref # 23)	92072-018	1
BAND,SHORT (Ref # 24)	92072-030	1
BRACKET-LICENCE PLATE (Ref # 25)	35027-006	1

1979 KV75-A8 PARTS LIST

HEADLIGHT/TAILLIGHT/CHASSIS ELECTRICAL E

ITEM NAME	PART NUMBER	QUANTITY
SCREW PAN HEAD 6X12 (Ref # 26)	220B0612	1
NUT 6MM (Ref # 27)	311B0600	2
WASHER SPRING 6MM (Ref # 29)	461F0600	1
EMBLEM,LICNSE PLT BKT (Ref # 30)	56018-176	1
WASHER LOCK 10MM (Ref # 31)	463H1000	1