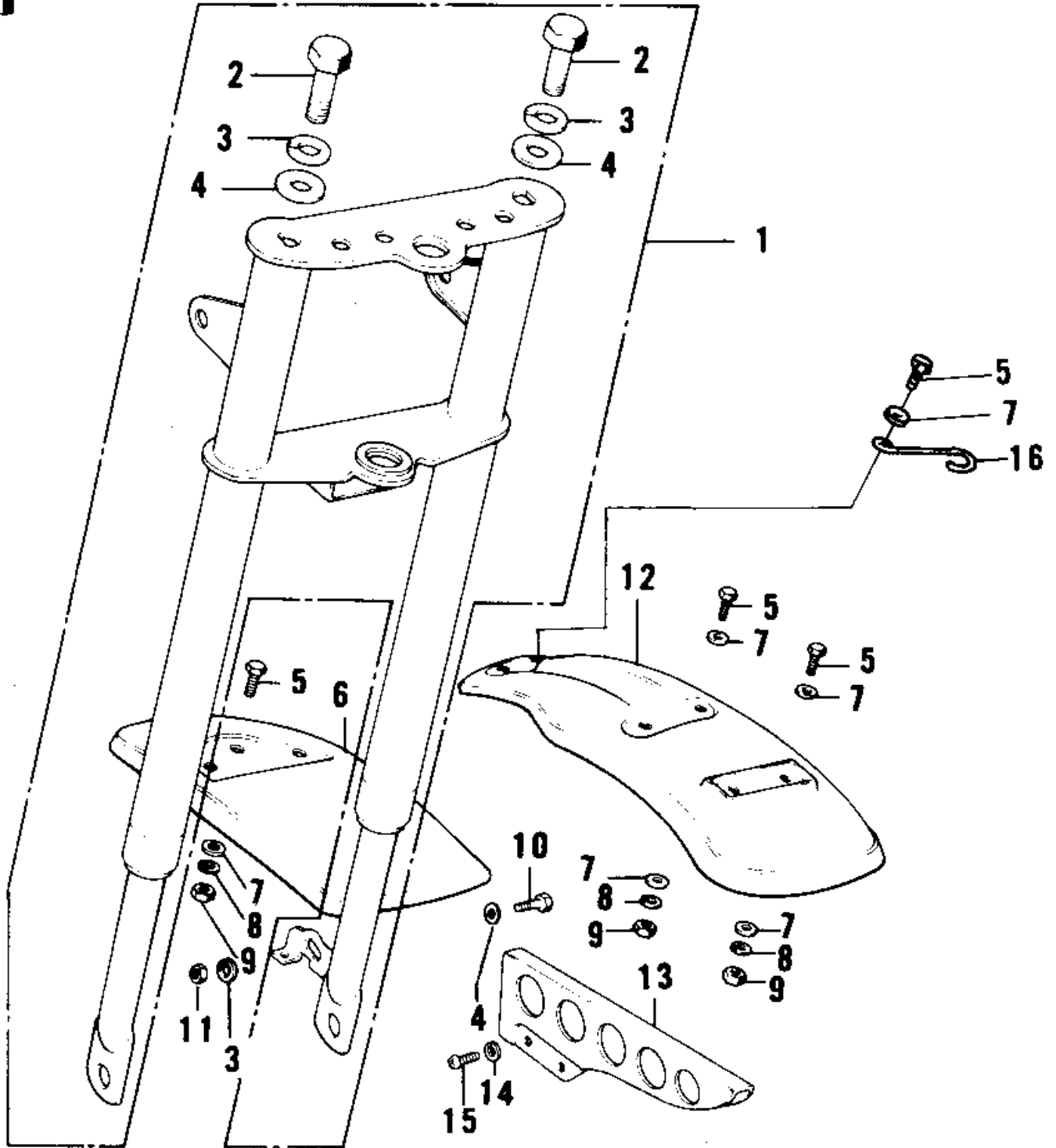


1972 MT1A PARTS DIAGRAM

FRONT FORK/FENDERS/CHAIN COVER ('76-'80)



1972 MT1A PARTS LIST

FRONT FORK/FENDERS/CHAIN COVER ('76-'80)

ITEM NAME	PART NUMBER	QUANTITY
FORK-FRONT (Ref # 1)	44001-159	1
BOLT,HEX HEAD,10X25 (Ref # 2)	113N1025	2
WASHER SPRING 10MM (Ref # 3)	461F1000	3
WASHER PLAIN 10MM (Ref # 4)	411B1000	3
BOLT-UPSET 6X14 (Ref # 5)	112B0614	9
FENDER-FR,BLACK (Ref # 6)	35004-087-10	1
WASHER PLAIN (Ref # 7)	92022-024	11
WASHER SPRING 6MM (Ref # 8)	461F0600	9
NUT 6MM (Ref # 9)	311B0600	9
NUT 6MM (Ref # 9)	311B0600	9
BOLT-UPSET,10X20 (Ref # 10)	112B1020	1
NUT,10MM (Ref # 11)	314B1000	1
FENDER-RR,BLACK (Ref # 12)	35023-013-10	1
CASE-CHAIN,BLACK (Ref # 13)	36014-036-21	1
WASHER SPRING 6MM (Ref # 14)	461F0600	2
SCREW PAN HEAD 6X10 (Ref # 15)	220B0610	2
CLAMP,CABLE (Ref # 16)	92037-172	1