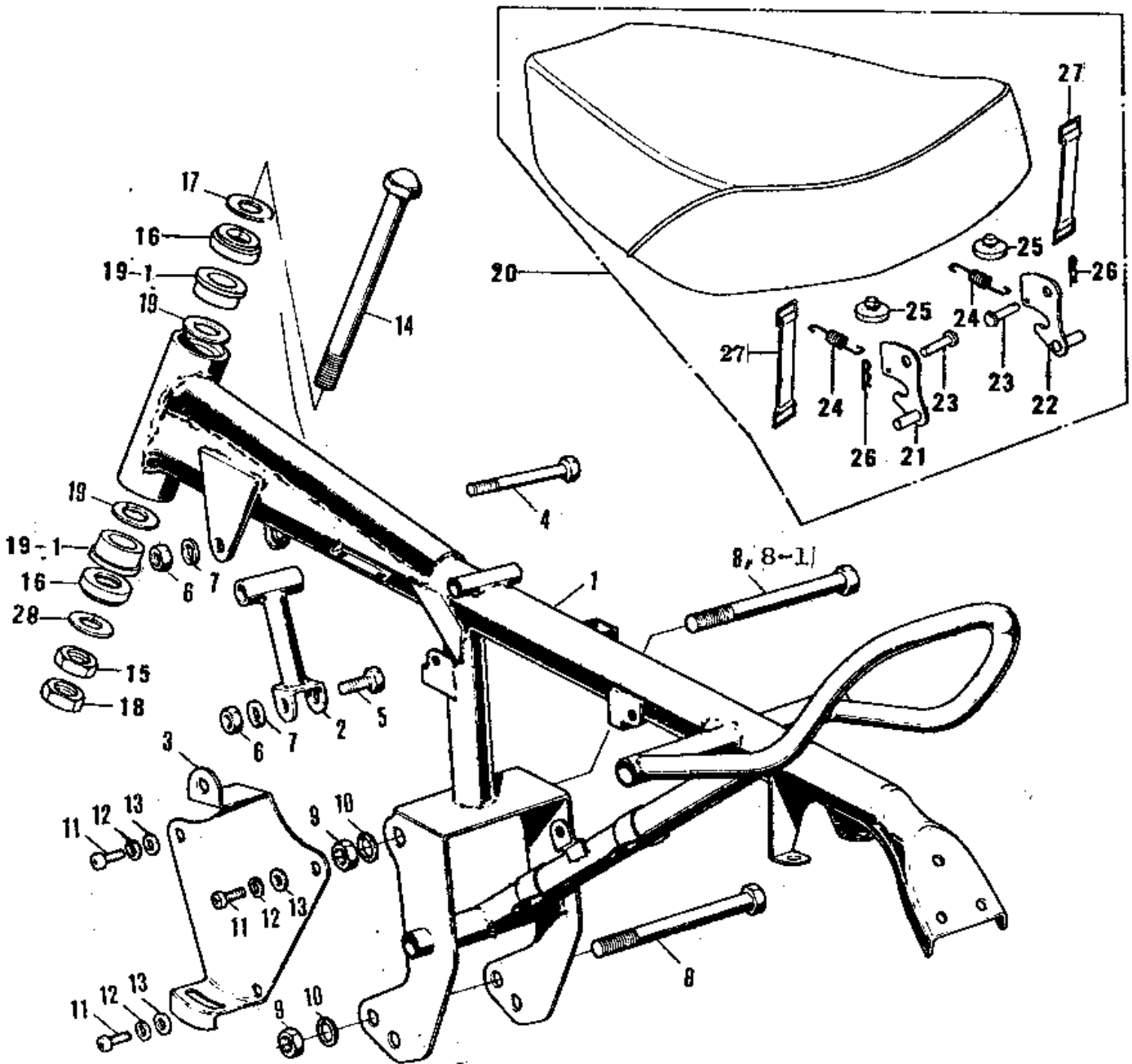


1974 MT1B PARTS DIAGRAM

FRAME/FRAME FITTINGS/SEAT ('76-'80)



1974 MT1B PARTS LIST

FRAME/FRAME FITTINGS/SEAT ('76-'80)

ITEM NAME	PART NUMBER	QUANTITY
FRAME (Ref # 1)	32002-144	
TUBE-DOWN (Ref # 2)	31076-016	
BRACKET-OIL TANK (Ref # 3)	32094-006	
BOLT,HEX HEAD,8X85 (Ref # 4)	92001-1226	
BOLT (Ref # 5)	92001-1578	
NUT,8MM (Ref # 6)	311B0800	
WASHER SPRING 8MM (Ref # 7)	461F0800	
BOLT, FLANGED, 10X110 (Ref # 8)	92001-1602	
BOLT,HEX HEAD,10X105 (Ref # 8-1)	92001-1282	
NUT,10MM (Ref # 9)	314B1000	
WASHER SPRING 10MM (Ref # 10)	461F1000	
SCREW PAN HEAD 6X12 (Ref # 11)	220B0612	
WASHER SPRING 6MM (Ref # 12)	461F0600	
WASHER PLAIN 6MM (Ref # 13)	410B0600	
BOLT,STEERING HEAD (Ref # 14)	92001-156	
NUT 16MM (Ref # 15)	315B1600	
THRUST BEARING (Ref # 16)	92119-001	
BEARING,BALL,STEERING (Ref # 16)	92045-1003	
WASHER-PLAIN,16MM (Ref # 17)	411D1600	
NUT 16MM (Ref # 18)	315B1600	
COLLAR,STEERING (Ref # 19)	92027-1119	
COLLAR,STEERING (Ref # 19-1)	92027-1119	
SEAT ASSY,DUAL (Ref # 20)	53002-075	
SEAT-ASSY (Ref # 20)	53001-1031	
SEAT-ASSY (Ref # 20)	53001-1031	
HOOK,L.H (Ref # 21)	53008-033	
HOOK,R.H (Ref # 22)	53008-034	
PIN-BRAKE CABLE FIT (Ref # 23)	92043-092	
SPRING,HOOK (Ref # 24)	53012-013	