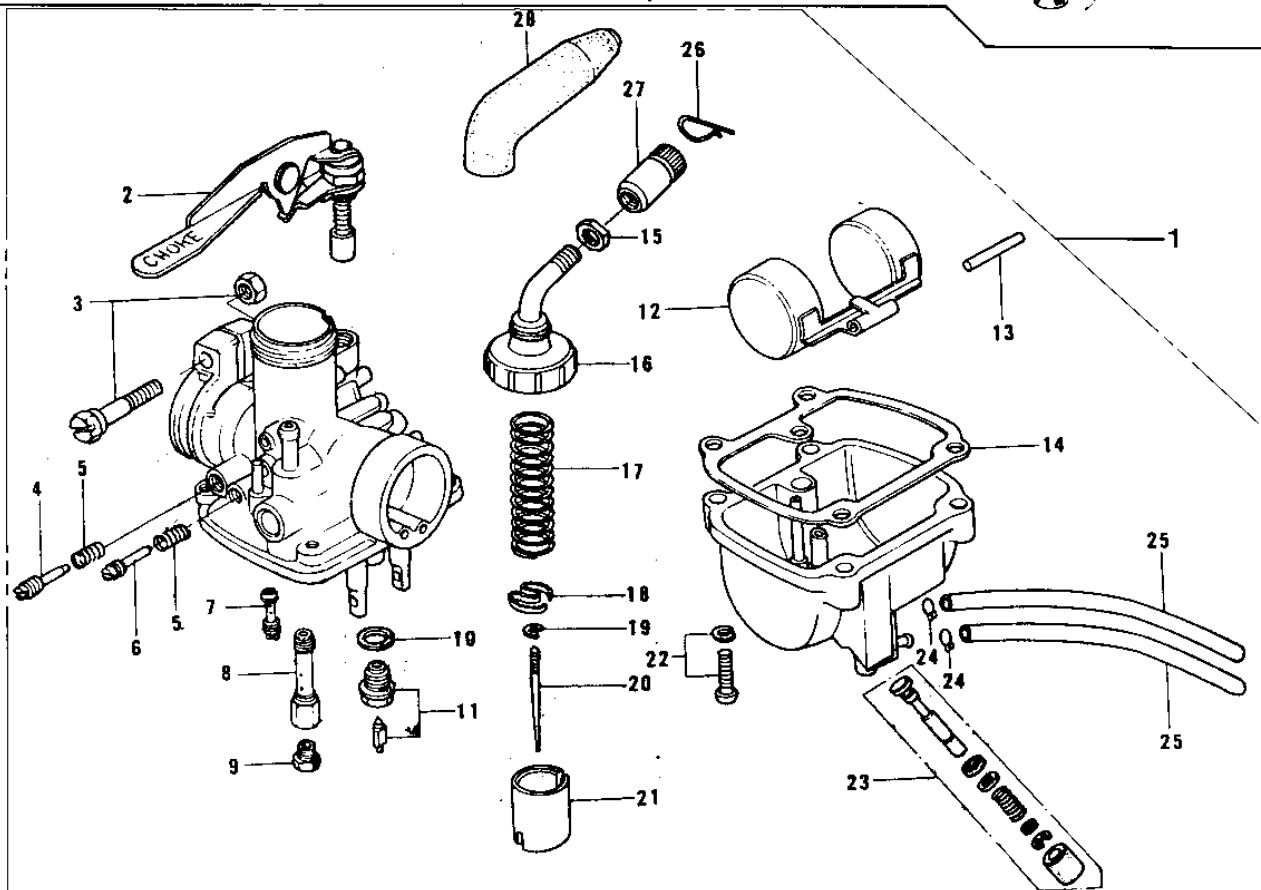
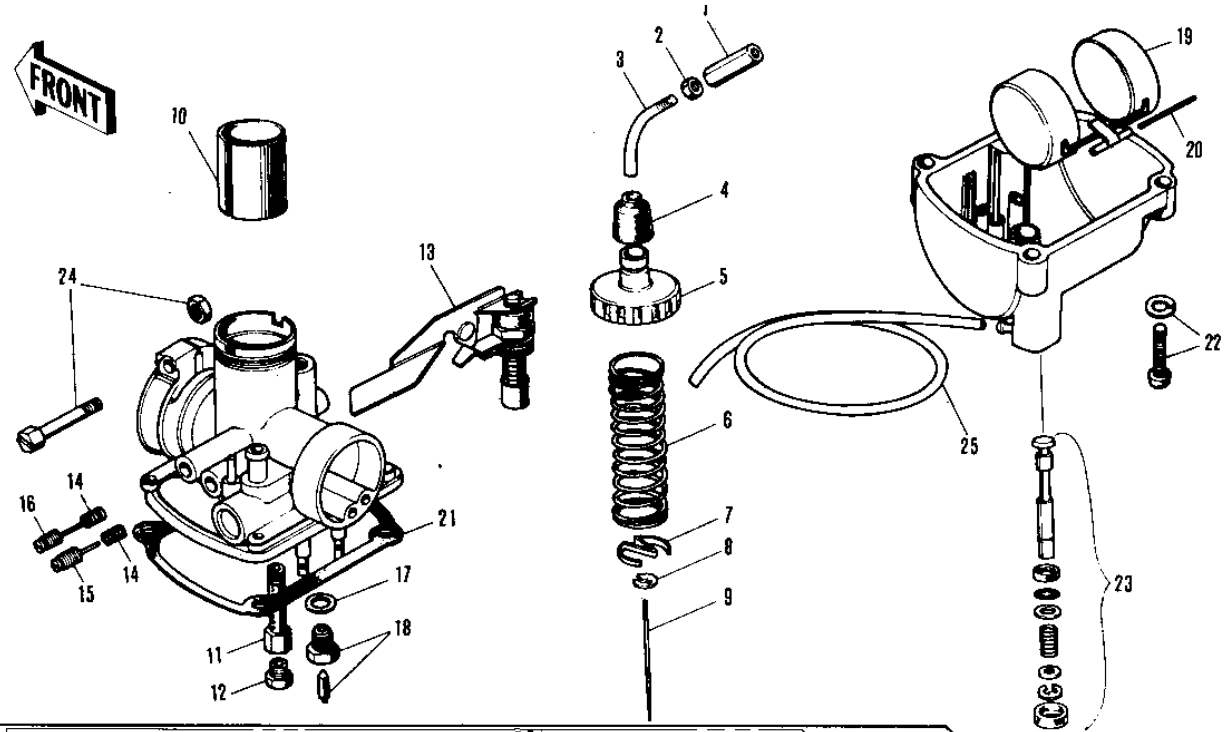


1978 KV75-A7 PARTS DIAGRAM

CARBURETOR ('76-'80)



1978 KV75-A7 PARTS LIST

CARBURETOR ('76-'80)

| ITEM NAME | PART NUMBER | QUANTITY |
|----------------------------------|-------------|----------|
| CARBURETOR ASSY (Ref # 1-25) | 16001-129 | 1 |
| CABLE ADJUSTER (Ref # 1) | 16002-004 | 1 |
| NUT CABLE ADJUST LOCK (Ref # 2) | 16003-004 | 1 |
| *** N.L.A.*** (Canada) (Ref # 3) | 16077-003 | 1 |
| CAP-RUBBER (Ref # 4) | 16037-001 | 1 |
| TOP-MIXING CHANBER (Ref # 5) | 16005-001 | 1 |
| SPRING-THROTTLE VALVE (Ref # 6) | 16006-001 | 1 |
| SPRING SEAT THRTL VLV (Ref # 7) | 16007-001 | 1 |
| CIRCLIP (Ref # 8) | 16008-010 | 1 |
| JET NEEDLE 3G9 (Ref # 9) | 16009-042 | 1 |
| VALVE-THROTTLE CA2.0 (Ref # 10) | 16025-038 | 1 |
| NEEDLE JET E-0 (Ref # 11) | 16017-051 | 1 |
| MAIN JET NO 70M (Ref # 12) | 92063-110 | 1 |
| PLUNGER ASSY-STARTER (Ref # 13) | 16016-009 | 1 |
| SPRING-THR STOP SCREW (Ref # 14) | 16022-007 | 2 |
| SCREW STOP (Ref # 15) | 16021-001 | 1 |
| SCREW PILOT AIR ADJST (Ref # 16) | 16014-002 | 1 |
| WASHER VALVE SEAT (Ref # 17) | 16029-002 | 1 |
| FLOAT VALVE ASSY (Ref # 18) | 16030-002 | 1 |
| FLOAT (Ref # 19) | 16031-014 | 1 |
| FLOAT PIN (Ref # 20) | 16032-003 | 1 |
| GASKET (Ref # 21) | 16019-011 | 1 |
| SCREW-FLOAT CHAMBER (Ref # 22) | 16033-012 | 4 |
| SCREW-CLAMP (Ref # 24) | 16010-005 | 1 |
| CARBURETOR ASSY (Ref # 1) | 16001-1033 | 1 |
| PLUNGER ASSY-STARTER (Ref # 2) | 16016-009 | 1 |
| SCREW-CLAMP (Ref # 3) | 16010-005 | 1 |
| SCREW PILOT AIR ADJST (Ref # 4) | 16014-002 | 1 |
| SPRING-THR STOP SCREW (Ref # 5) | 16022-007 | 2 |

1978 KV75-A7 PARTS LIST

CARBURETOR ('76-'80)

| ITEM NAME | PART NUMBER | QUANTITY |
|----------------------------------|-------------|----------|
| SCREW STOP (Ref # 6) | 16021-001 | 1 |
| PILOT JET,#A15 (Ref # 7) | 92064-1018 | 1 |
| WASHER VALVE SEAT (Ref # 10) | 16029-002 | 1 |
| FLOAT VALVE ASSY (Ref # 11) | 16030-002 | 1 |
| FLOAT (Ref # 12) | 16031-014 | 1 |
| FLOAT PIN (Ref # 13) | 16032-003 | 1 |
| GASKET (Ref # 14) | 16019-011 | 1 |
| NUT-CABLE ADJUST LOCK (Ref # 15) | 16003-006 | 1 |
| TOP,MIXING CHAMBER (Ref # 16) | 16005-1003 | 1 |
| SPRING-THROTTLE VALVE (Ref # 17) | 16006-001 | 1 |
| SPRING SEAT THRTL VLV (Ref # 18) | 16007-001 | 1 |
| SPRING SEAT THRTL VLV (Ref # 18) | 16007-001 | 1 |
| CLAMP,JET NEEDLE (Ref # 19) | 92037-1117 | 1 |
| CLAMP-TUBE (Ref # 19) | 92037-1043 | 1 |
| CLAMP,JET NEEDLE (Ref # 19) | 92037-1117 | 1 |
| JET NEEDLE 3G9 (Ref # 20) | 16009-042 | 1 |
| VALVE,THROTTLE,CA2.0 (Ref # 21) | 16025-1004 | 1 |
| SCREW-FLOAT CHAMBER (Ref # 22) | 16033-012 | 4 |
| EJECTOR ASSY-FUEL (Ref # 23) | 16064-001 | 1 |
| CLAMP-TUBE (Ref # 24) | 92037-1043 | 2 |
| TUBE,OVERFLOW,3X5X200 (Ref # 25) | 92059-1015 | 2 |
| CIRCLIP (Ref # 26) | 92036-018 | 1 |
| CABLE ADJUSTER (Ref # 27) | 16002-007 | 1 |
| BOOTS,CABLE ADJUSTER (Ref # 28) | 49006-1010 | 1 |