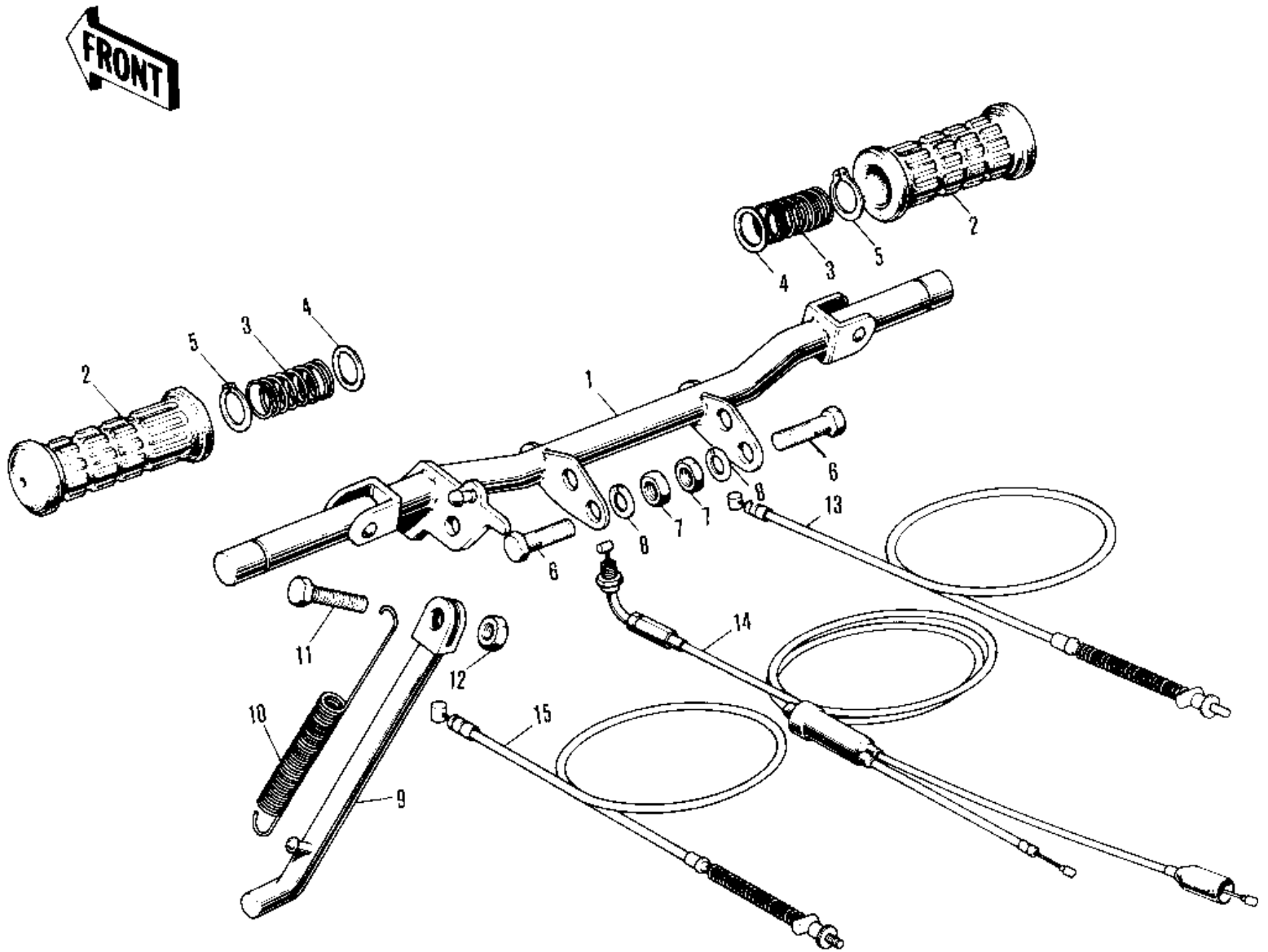


1971 Mini-Trail PARTS DIAGRAM

FOOTRESTS/STAND/CABLES ('71-'75)



1971 Mini-Trail PARTS LIST

FOOTRESTS/STAND/CABLES ('71-'75)

ITEM NAME	PART NUMBER	QUANTITY
BAR-FOOTREST (Ref # 1)	34002-029	1
RUBBER FOOTREST (Ref # 2)	92076-006	2
SPRING FOOTREST PEG (Ref # 3)	34006-002	2
WASHER FOLDING PEG (Ref # 4)	92022-049	2
CIRCLIP 16MM (Ref # 5)	480J1600	2
BOLT,HEX HEAD,10X18 (Ref # 6)	113G1018	2
NUT,10MM (Ref # 7)	314B1000	2
NUT,10MM (Ref # 7)	314B1000	2
WASHER SPRING 10MM (Ref # 8)	461F1000	2
STAND-SIDE (Ref # 9)	34024-050	1
STAND-SIDE (Ref # 9)	34024-050	1
SPRING MAIN STAND (Ref # 10)	34023-005	1
BOLT,10X28 (Ref # 11)	113G1028	1
BOLT,HEX HEAD,10X25 (Ref # 11)	113G1025	1
NUT 10MM (Ref # 12)	315B1000	2
CABLE-FRONT BRAKE (Ref # 13)	54005-058	1
CABLE,THROTTLE (Ref # 14)	54012-129	1
CABLE-REAR BRAKE (Ref # 15)	54022-020	1