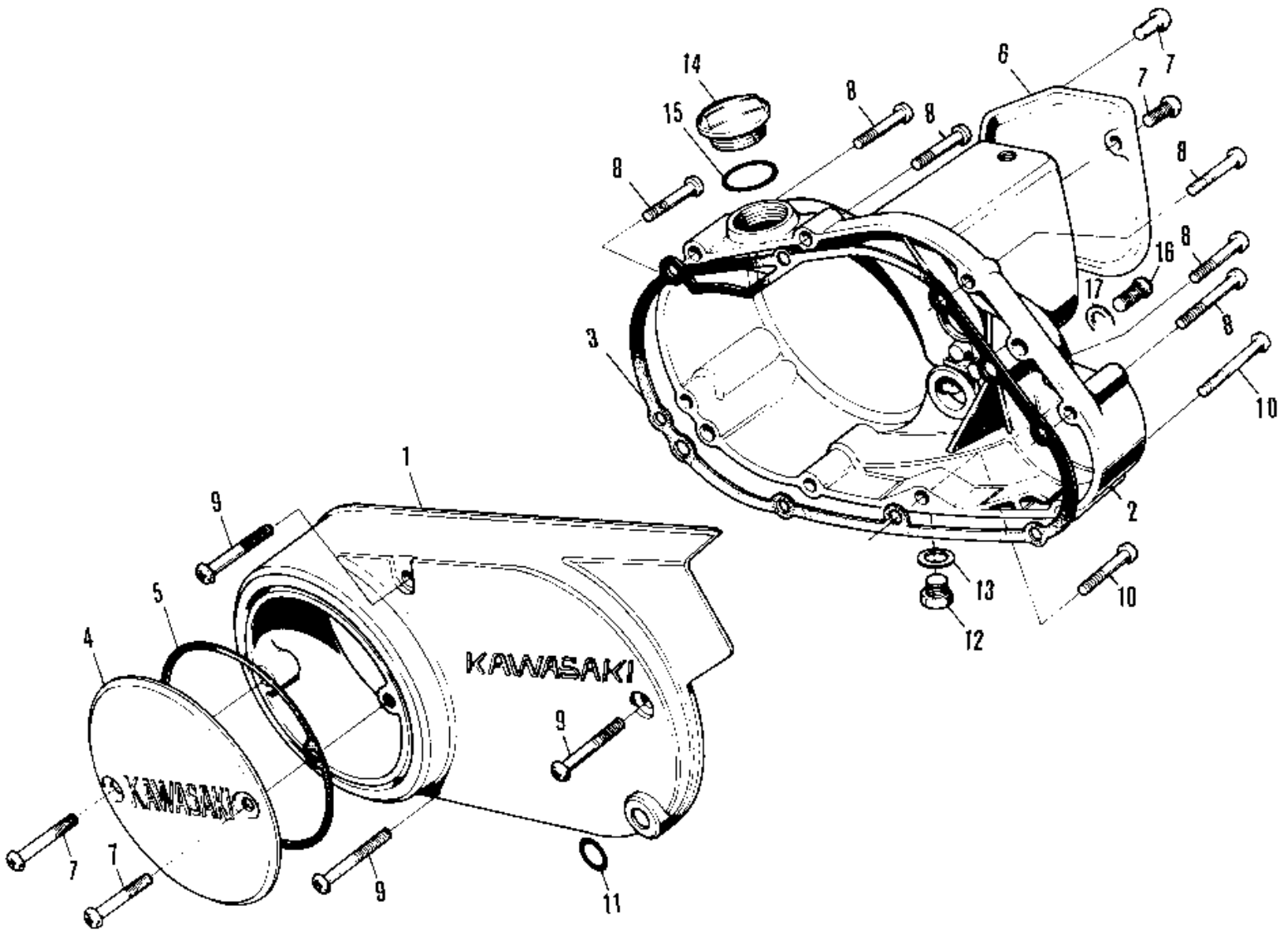


1971 Mini-Trail PARTS DIAGRAM

ENGINE COVERS (71-75)



1971 Mini-Trail PARTS LIST

ENGINE COVERS (71-75)

ITEM NAME	PART NUMBER	QUANTITY
COVER,L.H.ENGINE (Ref # 1)	14031-1008	1
UNAVAILABLE IN PRICE BOOK (Ref # 1)	14031-039-2H	1
COVER,R.H.ENGINE (Ref # 2)	14032-1003	1
UNAVAILABLE IN PRICE BOOK (Ref # 2)	14032-058-2H	1
GASKET-R.H ENGINE COV (Ref # 3)	14046-002	1
COVER-BRK POINT,CR (Ref # 4)	14027-007-79	1
GASKET BREAKER COVER (Ref # 5)	14050-002	1
COVER-OIL PUMP (Ref # 6)	14030-026	1
UNAVAILABLE IN PRICE BOOK (Ref # 6)	14030-026-2H	1
SCREW PAN HEAD 6X12 (Ref # 7)	220B0612	4
SCREW PAN HEAD 6X30 (Ref # 8)	220B0630	6
SCREW PAN HEAD 6X45 (Ref # 9)	220B0645	3
SCREW PAN HEAD 6X50 (Ref # 10)	220B0650	2
"O" RING,12MM (Ref # 11)	670B2012	2
PLUG OIL DRAIN (Ref # 12)	92067-001	1
GASKET CHECK VALVE (Ref # 13)	92065-058	1
PLUG-OIL FILLER (Ref # 14)	92068-005	1
"O" RING,OIL FIL PLUG (Ref # 15)	92055-026	1
SCREW PAN HEAD 6X8 (Ref # 16)	220B0608	1
GASKET OIL LEVEL SCRW (Ref # 17)	92065-035	1