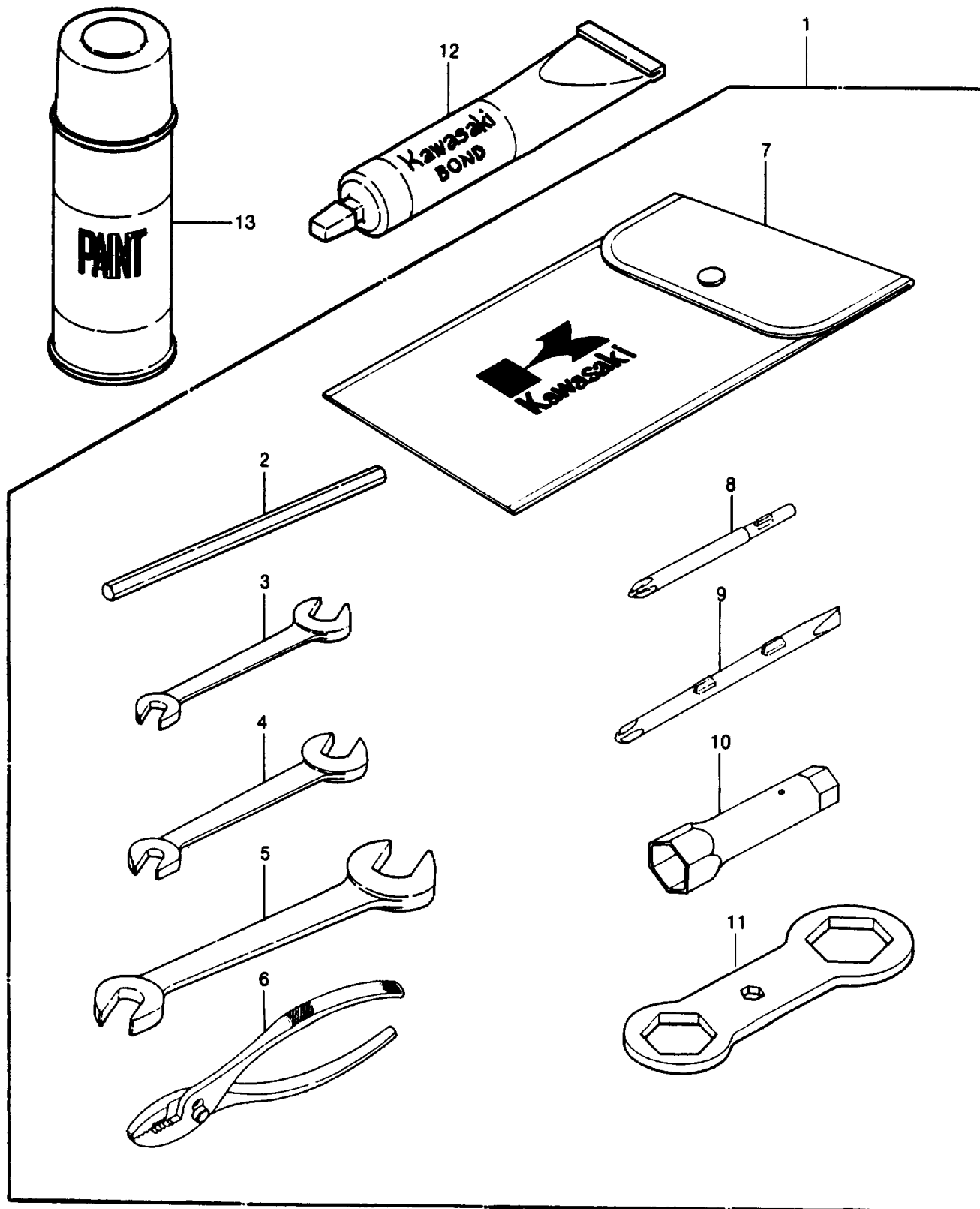


## 1986 JS550 PARTS DIAGRAM

OWNER TOOLS



## 1986 JS550 PARTS LIST

### OWNER TOOLS

| ITEM NAME                                 | PART NUMBER | QUANTITY |
|---|-------------|----------|
| TOOL-WRENCH,BOX,21MM (Ref # 10)           | 92110-1113  | 1        |
| TOOL-WRENCH,BOX END,27X32 (Ref # 11)      | 92110-3701  | 1        |
| GASKET-LIQUID,TUBE,100G,SILVER (Ref # 12) | 92104-002   | 1        |
| PAINT,OPTIC RED,12OZ.SPRAY CAN (Ref # 13) | 57002-4002  | 1        |
| TOOLKIT (Ref # 1)                         | 56007-3702  | 1        |
| TOOL-WRENCH,ALLEN BAR,8X160 (Ref # 2)     | 92110-3702  | 1        |
| TOOL-WRENCH,OPEN END,8X10 (Ref # 3)       | 92126-001   | 1        |
| TOOL-WRENCH,OPEN END,12X13 (Ref # 4)      | 92126-002   | 1        |
| TOOL-WRENCH,OPEN END,14X17 (Ref # 5)      | 92126-003   | 1        |
| TOOL-PLIERS (Ref # 6)                     | 92112-003   | 1        |
| BAG,TOOL (Ref # 7)                        | 56008-1019  | 1        |
| TOOL-DRIVER,#3PHILLIPS (Ref # 8)          | 92107-005   | 1        |
| TOOL-DRIVER,#2PHILLIPS&SLOT (Ref # 9)     | 92107-1051  | 1        |