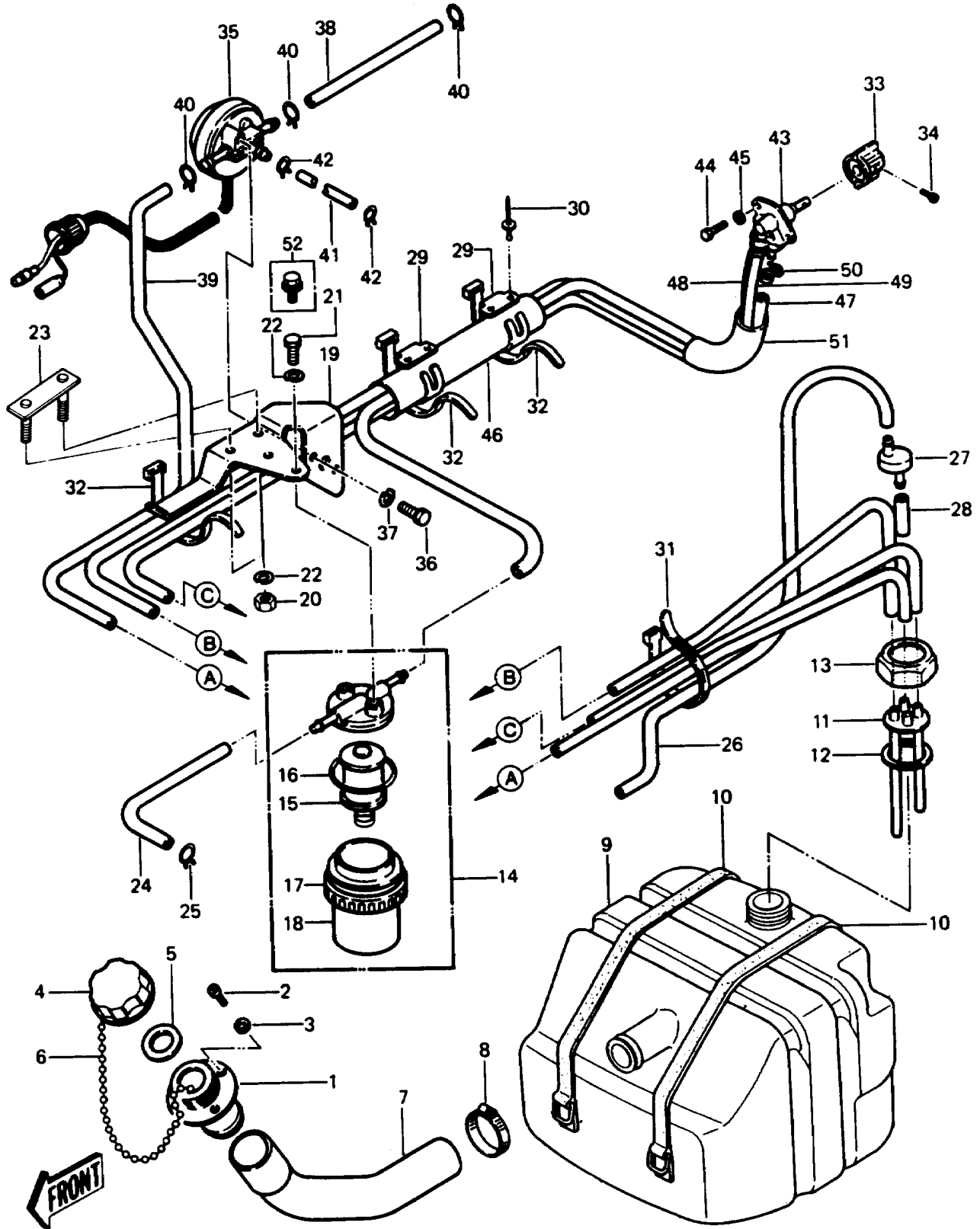


1986 JS550 PARTS DIAGRAM

FUEL TANK



1986 JS550 PARTS LIST

FUEL TANK

ITEM NAME	PART NUMBER	QUANTITY
BAND,FUEL TANK (Ref # 10)	92072-521	2
PIPE-COMP,FUEL (Ref # 11)	31064-3001	1
GASKET (Ref # 12)	92065-504	1
RETAINER (Ref # 13)	23072-501	1
FILTER-FUEL (Ref # 14)	49019-3701	1
FILTER,FUEL ELEMENT (Ref # 15)	14043-3701	1
RING-O,FILTER CUP (Ref # 16)	92055-3006	1
NUT,RING (Ref # 17)	92015-3013	1
CUP,FUEL FILTER (Ref # 18)	51036-3701	1
BRACKET,FUEL FILTER (Ref # 19)	11034-3013	1
NUT-HEX,6MM (Ref # 20)	311R0600	2
BOLT,6X12 (Ref # 21)	110R0612	2
WASHER-SPRING,6MM (Ref # 22)	461S0600	4
BRACKET (Ref # 23)	11034-3701	1
TUBE,6X10X200 (Ref # 24)	92059-3011	1
CLAMP (Ref # 25)	92037-3024	1
TUBE,FUEL,6X10X940 (Ref # 26)	92059-3025	1
VALVE-RELIEF (Ref # 27)	49057-3001	1
TUBE,5.8X12.2X55 (Ref # 28)	92059-3026	1
CLAMP,TUBE (Ref # 29)	92037-3005	2
RIVET (Ref # 30)	92039-3702	4
BAND,L=123 (Ref # 31)	92072-030	1
BAND,L=149 (Ref # 32)	92072-031	3
KNOB,FUEL TAP (Ref # 33)	92077-503	1
SCREW-PAN-CROS,4X8 (Ref # 34)	220R0408	1
VALVE-ASSY,RPM LIMITER (Ref # 35)	49116-3001	1
BOLT,6X14 (Ref # 36)	110R0614	2
WASHER-SPRING,6MM (Ref # 37)	461S0600	2
TUBE,FUEL,6X235 (Ref # 38)	92059-3036	1

1986 JS550 PARTS LIST

FUEL TANK

ITEM NAME	PART NUMBER	QUANTITY
TUBE,FUEL,6X680 (Ref # 39)	92059-3037	1
CLAMP (Ref # 40)	92037-3024	3
FILLER,FUEL TANK (Ref # 1)	59231-3001	1
SCREW (Ref # 2)	92011-562	4
WASHER (Ref # 3)	92022-563	4
CAP-TANK (Ref # 4)	51049-3001	1
GASKET,TANK CAP (Ref # 5)	11009-3020	1
CHAIN,COVER,L=80 (Ref # 6)	92057-3004	1
TUBE,FUEL INLET (Ref # 7)	92059-3020	1
CLAMP (Ref # 8)	92037-3009	1
TANK-FUEL (Ref # 9)	51004-3702	1
TUBE,FUEL,2.5X185 (Ref # 41)	92059-3038	1
CLAMP,TUBE (Ref # 42)	92037-3025	2
TAP-ASSY,FUEL (Ref # 43)	51023-501	1
BOLT,5X12 (Ref # 44)	110R0512	2
WASHER-PLAIN,5MM (Ref # 45)	411S0500	2
TUBE,VINYL,22X350 (Ref # 46)	92059-3018	1
TUBE,FUEL,"ON",6X1180 (Ref # 47)	92059-3005	1
TUBE,FUEL,"RESERVE" (Ref # 48)	92059-3006	1
TUBE,6X10X960 (Ref # 49)	92059-3007	1
CLAMP (Ref # 50)	92037-551	3
TUBE,GUARD (Ref # 51)	92059-3008	1