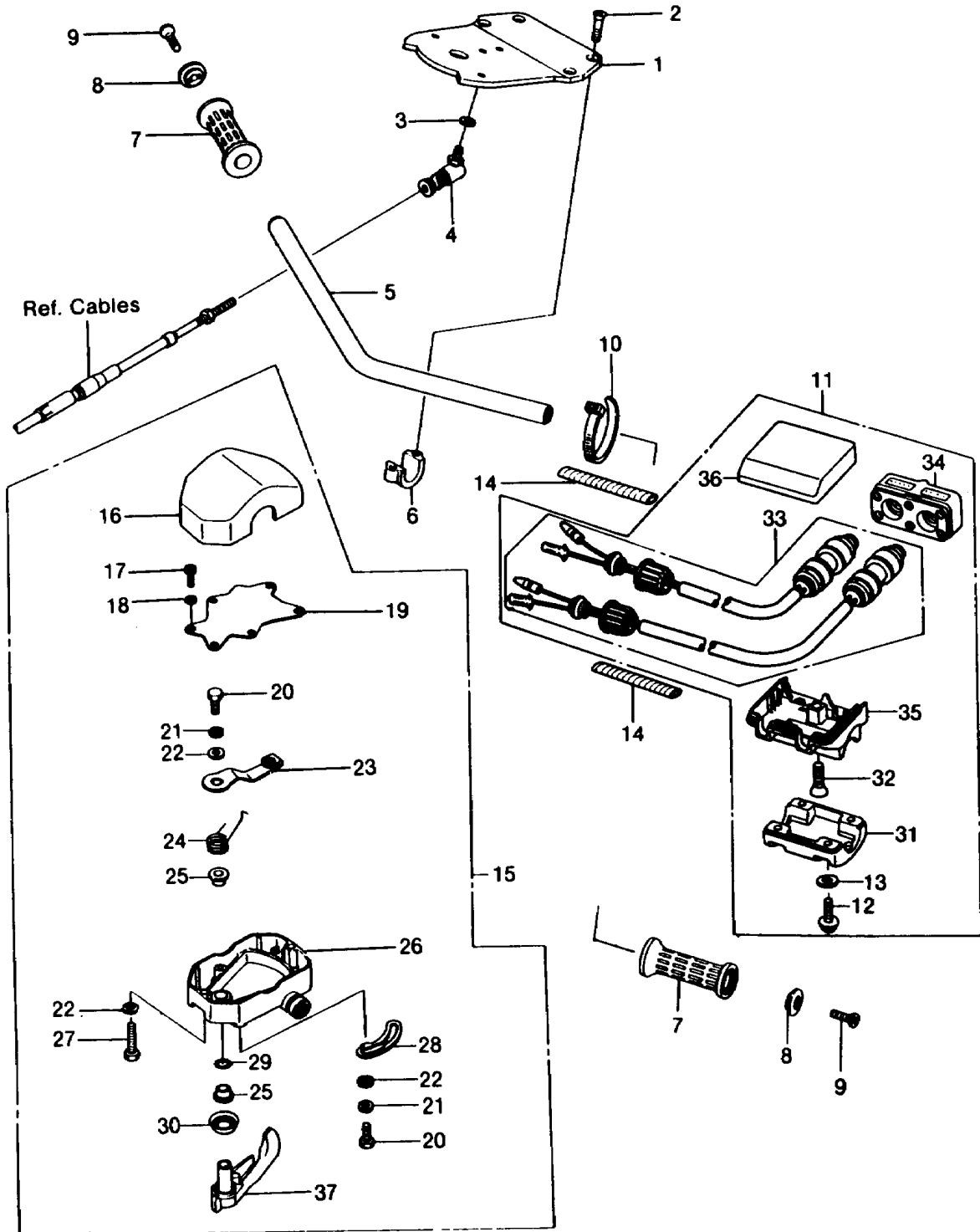


1986 JS550 PARTS DIAGRAM

HANDLEBAR (JS550-A5)



1986 JS550 PARTS LIST

HANDLEBAR (JS550-A5)

ITEM NAME	PART NUMBER	QUANTITY
BAND,L=149 (Ref # 10)	92072-031	1
SWITCH-ASSY (Ref # 11)	27004-3002	1
SCREW-PAN-CROS,5X20 (Ref # 12)	220R0520	4
W-PLAIN-S,5MM (Ref # 13)	410S0500	4
TUBE,SPIRAL (Ref # 14)	92059-3010	2
LEVER-ASSY-THROTTLE (Ref # 15)	39074-3701	1
HOUSING-CONTROL,UPP (Ref # 16)	39063-3701	1
BOLT,SOCKET,3X10 (Ref # 17)	92002-3730	6
WASHER-SPRING,3MM (Ref # 18)	461S0300	6
COVER,THROTTLE LEVER (Ref # 19)	14024-3701	1
BOLT,5X10 (Ref # 20)	110R0510	2
WASHER-SPRING,5MM (Ref # 21)	461S0500	2
W-PLAIN-S,5MM (Ref # 22)	410S0500	4
ARM,THROTTLE LEVER (Ref # 23)	21083-3701	1
SPRING,THROTTLE LEVER RETURN (Ref # 24)	92081-3702	1
COLLAR,THROTTLE LEVER (Ref # 25)	92027-3704	2
HOUSING-CONTROL,LWR (Ref # 26)	39063-3702	1
BOLT,5X25 (Ref # 27)	110R0525	2
STOPPER (Ref # 28)	32085-3706	1
O RING,8MM (Ref # 29)	670B1508	1
PACKING,THROTTLE LEVER (Ref # 30)	43049-3701	1
HOLDER,SWITCH (Ref # 31)	13091-3726	1
SCREW-CSK-CROS,6X25 (Ref # 32)	221R0625	1
SWITCH,STOP&START (Ref # 33)	27010-3708	1
CASE,FR,SWITCH (Ref # 34)	32099-3724	1
CASE,LWR,SWITCH (Ref # 35)	32099-3725	1
CASE,UPP,SWITCH (Ref # 36)	32099-3726	1
LEVER-THROTTLE (Ref # 37)	39075-3702	1
PLATE,HANDLEBAR (Ref # 1)	13169-3004	1

1986 JS550 PARTS LIST

HANDLEBAR (JS550-A5)

ITEM NAME	PART NUMBER	QUANTITY
SCREW,8X22 (Ref # 2)	92009-3701	4
WASHER-SPRING,6MM (Ref # 3)	461S0600	1
JOINT-BALL (Ref # 4)	59266-3701	1
HANDLE (Ref # 5)	46003-3703	1
CLAMP,HANDLEBAR (Ref # 6)	92037-503	2
GRIP,HANDLEBAR (Ref # 7)	46075-3709	2
STOPPER (Ref # 8)	32085-3705	2
SCREW,6X16 (Ref # 9)	92009-3703	2