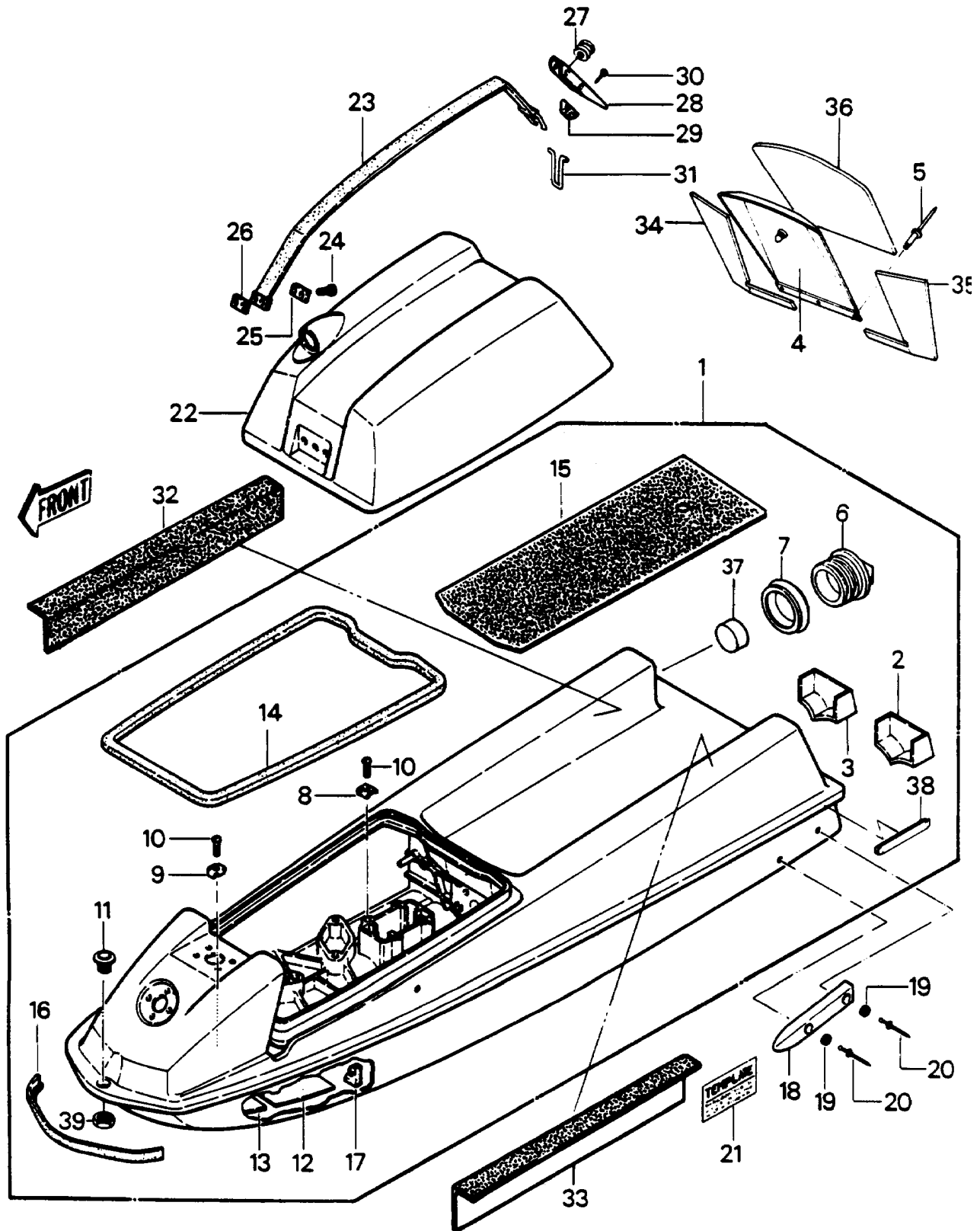


## 1988 JS550 PARTS DIAGRAM

HULL/ENGINE HOOD (JS550-A6/A7)



## 1988 JS550 PARTS LIST

HULL/ENGINE HOOD (JS550-A6/A7)

ITEM NAME	PART NUMBER	QUANTITY
SCREW,TAPPING (Ref # 10)	92011-561	1
BUSHING,L=18 (Ref # 11)	92028-3724	1
DAMPER,FUEL TANK (Ref # 12)	92075-521	1
DAMPER,MUFFLER (Ref # 13)	92075-522	1
GASKET,ENGINE HOOD (Ref # 14)	92065-539	1
MAT (Ref # 15)	59131-502	1
BUMPER (Ref # 16)	59201-3691	1
DETENT (Ref # 17)	59346-504	1
STABILIZER (Ref # 18)	59437-3002	1
WASHER,5X16X1.5 (Ref # 19)	92022-3041	1
RIVET (Ref # 20)	92039-3002	1
TEMPLATE,STABILIZER (Ref # 21)	99969-0560	1
HOOD-COMP-ENGINE,JET WHITE (Ref # 22)	59456-3001-8C	1
BAND,HOOD (Ref # 23)	92072-501	1
BOLT,6X30 (Ref # 24)	92001-3022	1
WASHER,BAND (Ref # 25)	92022-509	1
BRACKET,PLATE (Ref # 26)	59086-501	1
GROMMET (Ref # 27)	92071-056	1
LEVER (Ref # 28)	13168-3701	1
DETENT (Ref # 29)	59346-503	1
SCREW (Ref # 30)	92011-562	1
HINGE (Ref # 31)	53009-503	1
MAT,DECK FIN,RH (Ref # 32)	53004-3701	1
MAT,DECK FIN,LH (Ref # 33)	53004-3702	1
MAT,DASHBOARD,RH (Ref # 34)	53004-3709	1
MAT,DASHBOARD,LH (Ref # 35)	53004-3710	1
MAT,DASHBOARD COVER (Ref # 36)	53004-3705	1
DAMPER,69X16T (Ref # 37)	92075-3710	1
GRIP,HULL (Ref # 38)	46075-3701	1

## 1988 JS550 PARTS LIST

HULL/ENGINE HOOD (JS550-A6/A7)

ITEM NAME	PART NUMBER	QUANTITY
NUT,20MM (Ref # 39)	92015-3721	1
HULL-ASSY,JET WHITE (Ref # 1)	59431-3706-8C	1
HULL,LH,EXTENSION,JET WHITE (Ref # 2)	59251-3006-8C	1
HULL,RH,EXTENSION,JET WHITE (Ref # 3)	59251-3005-8C	1
COVER,DASHBOARD (Ref # 4)	14025-3706	1
RIVET,4MM (Ref # 5)	92039-3703	1
CAP (Ref # 6)	11012-3706	1
SEAL-OIL (Ref # 7)	92049-3709	1
HOOK (Ref # 8)	27012-501	1
HOOK (Ref # 9)	27012-502	1