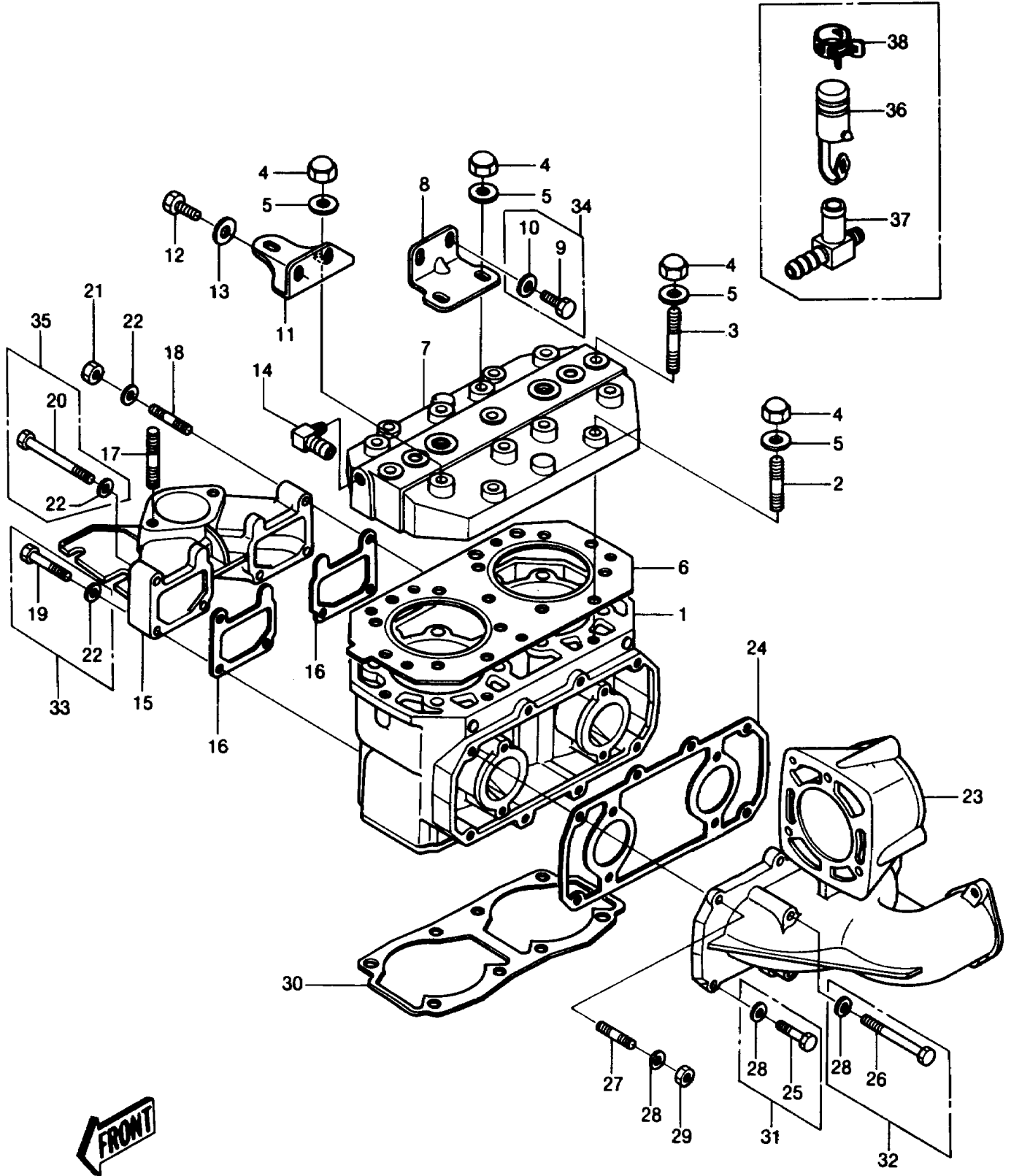


1986 JS550 PARTS DIAGRAM

CYLINDER HEAD/CYLINDER



1986 JS550 PARTS LIST

CYLINDER HEAD/CYLINDER

ITEM NAME	PART NUMBER	QUANTITY
WASHER-PLAIN,6MM (Ref # 10)	411S0600	2
BRACKET,MUFFLER (Ref # 11)	11044-2075	1
BOLT,8X18 (Ref # 12)	92002-2288	2
WASHER-PLAIN,8MM (Ref # 13)	411S0800	2
ELBOW (Ref # 14)	52014-3002	1
MANIFOLD-INTAKE (Ref # 15)	59076-2052-YR	1
GASKET,INTAKE (Ref # 16)	16062-510	2
STUD,8X27.5 (Ref # 17)	92004-3022	2
BOLT-STUD,6X35 (Ref # 18)	171R0635	1
BOLT,6X35 (Ref # 19)	110R0635	3
BOLT,6X70 (Ref # 20)	110R0670	2
NUT-HEX,6MM (Ref # 21)	311R0600	1
WASHER-PLAIN-SMALL,6MM (Ref # 22)	410S0600	6
MANIFOLD-EXHAUST (Ref # 23)	59081-2051-YR	1
GASKET,EXHAUST MANIFOLD (Ref # 24)	11009-3023	1
BOLT,6X25 (Ref # 25)	110R0625	5
BOLT,6X70 (Ref # 26)	110R0670	5
BOLT-STUD,6X25 (Ref # 27)	171R0625	2
WASHER-PLAIN-SMALL,6MM (Ref # 28)	410S0600	12
NUT-HEX,6MM (Ref # 29)	311R0600	2
GASKET,CYLINDER (Ref # 30)	11009-3054	1
CYLINDER-ENGINE (Ref # 1)	11005-2099-YR	1
STUD,8X42 (Ref # 2)	92004-3016	4
STUD,8X50 (Ref # 3)	92004-3017	3
NUT,CAP,8MM (Ref # 4)	92015-3003	15
WASHER-PLAIN,8MM (Ref # 5)	411S0800	15
GASKET-HEAD (Ref # 6)	11004-3024	1
HEAD-COMP-CYLINDER (Ref # 7)	11008-2059-YR	1
BRACKET,CARBURETOR (Ref # 8)	11044-2074	1