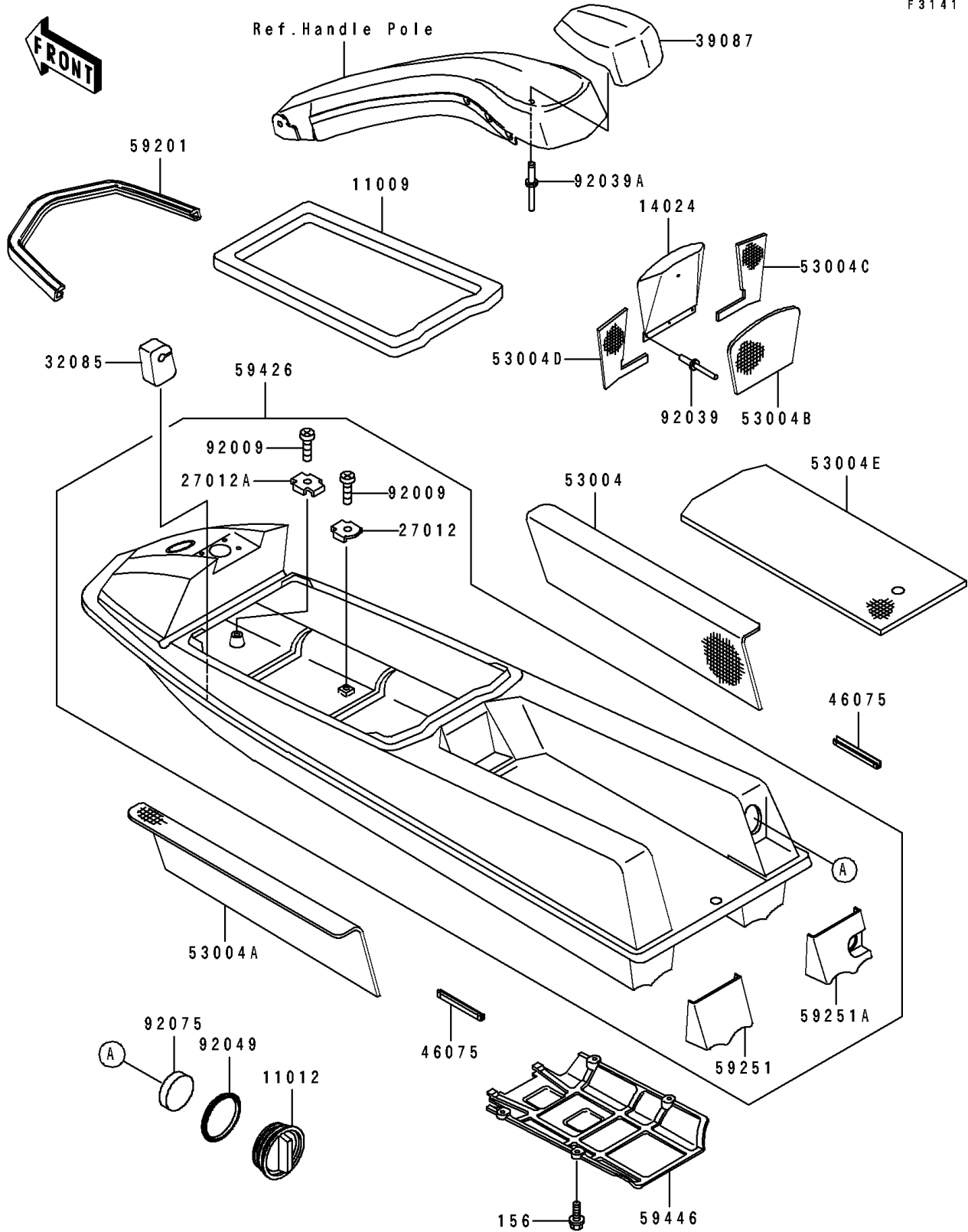


1992 JS440 PARTS DIAGRAM

Hull

F3141



1992 JS440 PARTS LIST

Hull

ITEM NAME	PART NUMBER	QUANTITY
GASKET,ENGINE HOOD (Ref # 11009)	92065-539	1
CAP (Ref # 11012)	11012-3721	1
COVER,DASHBOARD (Ref # 14024)	14025-3706	1
HOOK (Ref # 27012)	27012-501	1
HOOK (Ref # 27012A)	27012-502	1
DETENT (Ref # 32085)	59346-504	1
PAD-HANDLE,POLE (Ref # 39087)	39087-3701	1
GRIP,HULL (Ref # 46075)	46075-3701	1
MAT,DECK FIN,RH (Ref # 53004)	53004-3723	1
MAT,DECK FIN,LH (Ref # 53004A)	53004-3724	1
MAT,DASHBOARD COVER (Ref # 53004B)	53004-3725	1
MAT,DASHBOARD,RH (Ref # 53004C)	53004-3726	1
MAT,DASHBOARD,LH (Ref # 53004D)	53004-3727	1
MAT (Ref # 53004E)	59131-502	1
BUMPER (Ref # 59201)	59201-3691	1
HULL,LH,EXTENSION,JET WHITE (Ref # 59251)	59251-3006-8C	1
HULL,RH,EXTENSION,JET WHITE (Ref # 59251A)	59251-3713-8C	1
HULL-COMP,JET WHITE (Ref # 59426)	59426-3778-8C	1
COVER-JET PUMP (Ref # 59446)	59446-3718	1
SCREW,TAPPING (Ref # 92009)	92011-561	1
RIVET,4MM (Ref # 92039)	92039-3703	1
RIVET (Ref # 92039A)	92039-3712	1
SEAL-OIL (Ref # 92049)	92049-3709	1
DAMPER,69X16T (Ref # 92075)	92075-3710	1
BOLT-WP,6X25 (Ref # 156)	156R0625	1