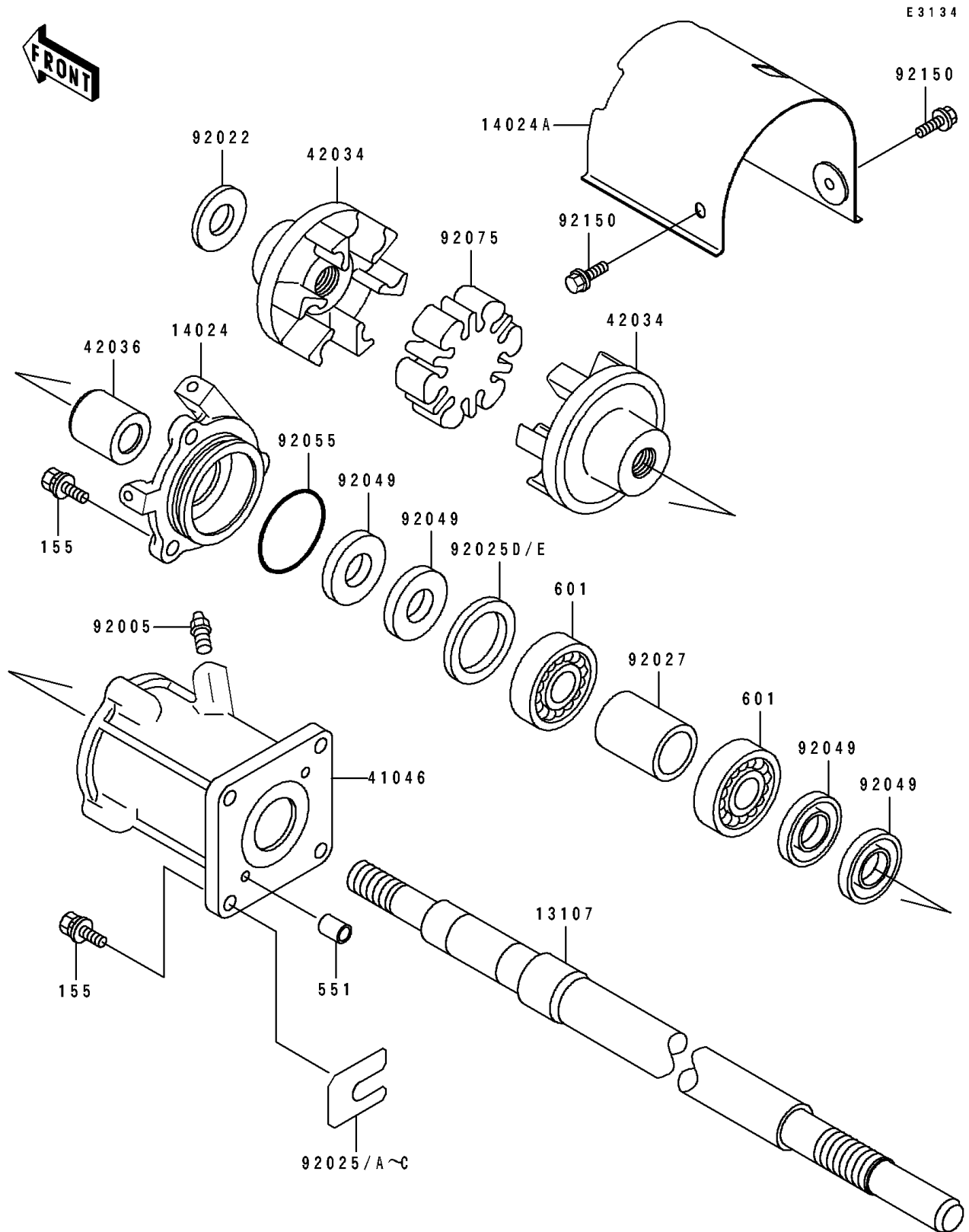


1992 JS440 PARTS DIAGRAM

Drive Shaft



1992 JS440 PARTS LIST

Drive Shaft

| ITEM NAME | PART NUMBER | QUANTITY |
|----------------------------------|-------------|----------|
| SHAFT,DRIVE (Ref # 13107) | 59111-515 | 1 |
| COVER,BEARING (Ref # 14024) | 14025-3008 | 1 |
| COVER,COUPLING (Ref # 14024A) | 59036-567 | 1 |
| HOUSING-BEARING (Ref # 41046) | 41046-502 | 1 |
| COUPLING (Ref # 42034) | 42034-3706 | 1 |
| SLEEVE,BEARING (Ref # 42036) | 42036-501 | 1 |
| FITTING,GREASE (Ref # 92005) | 92005-501 | 1 |
| WASHER,18.5X38X4 (Ref # 92022) | 92022-3028 | 1 |
| SHIM,T=0.3MM (Ref # 92025) | 92025-3701 | 1 |
| SHIM,T=0.5MM (Ref # 92025A) | 92025-3702 | 1 |
| SHIM,T=1.0MM (Ref # 92025B) | 92025-3703 | 1 |
| SHIM,T=1.5MM (Ref # 92025C) | 92025-3704 | 1 |
| SHIM,T=0.15 (Ref # 92025D) | 92025-502 | 1 |
| SHIM,T=0.3 (Ref # 92025E) | 92025-503 | 1 |
| COLLAR (Ref # 92027) | 92027-502 | 1 |
| SEAL-OIL,AC1799EX (Ref # 92049) | 92050-501 | 1 |
| RING-O (Ref # 92055) | 92055-501 | 1 |
| DAMPER,COUPLING (Ref # 92075) | 92075-520 | 1 |
| BOLT,6X16 (Ref # 92150) | 92150-3714 | 1 |
| BOLT-WSP-SMALL,8X25 (Ref # 155) | 155R0825 | 1 |
| PIN-DOWEL (Ref # 551) | 551R0612 | 1 |
| BEARING-BALL,#6305C3 (Ref # 601) | 601B6305 | 1 |