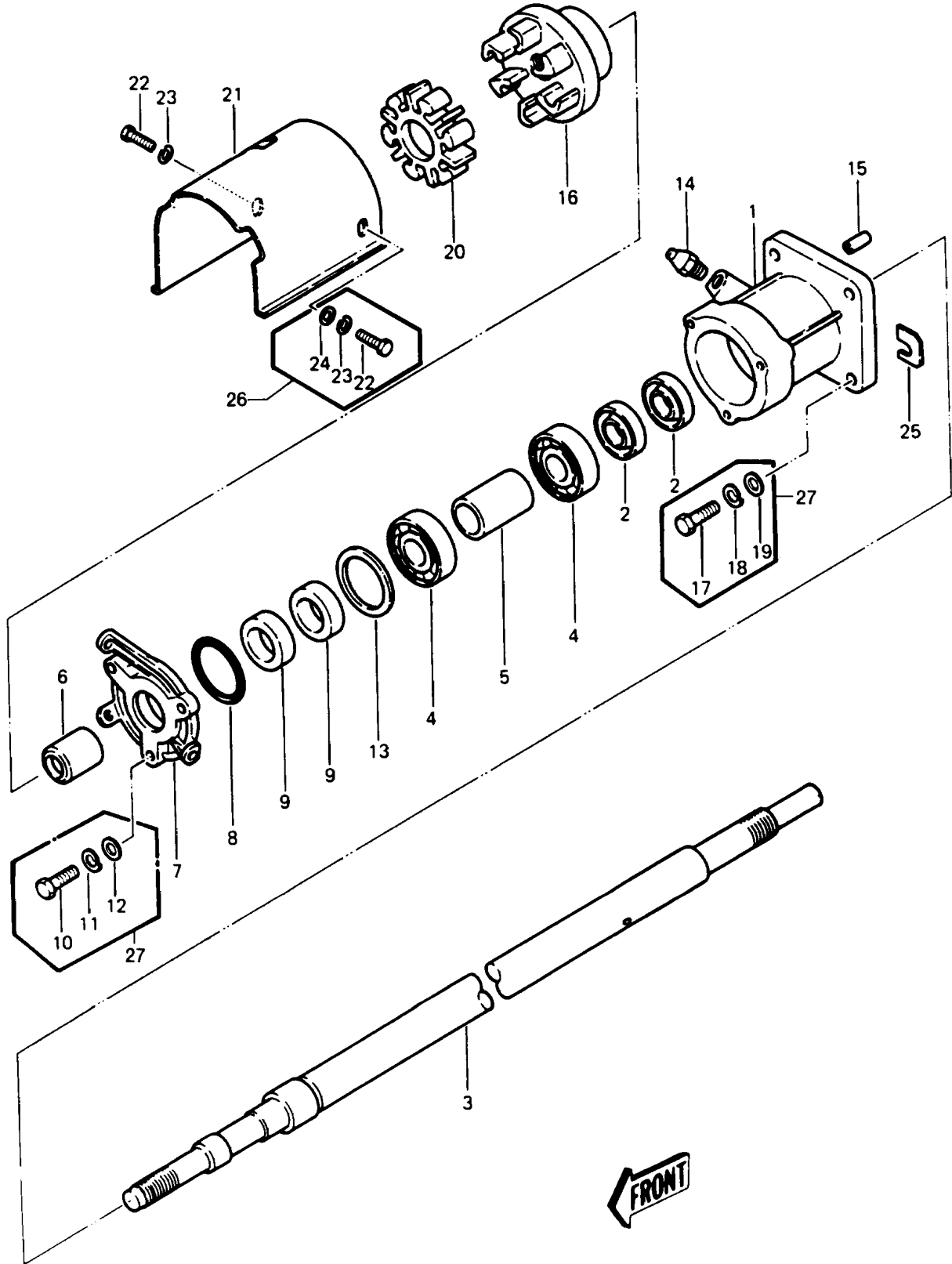


# 1990 JS440 PARTS DIAGRAM

## DRIVE SHAFT



# 1990 JS440 PARTS LIST

## DRIVE SHAFT

ITEM NAME	PART NUMBER	QUANTITY
SHIM,T=0.3 (Ref # 13A)	92025-503	AR
SHIM,T=0.15 (Ref # 13)	92025-502	AR
FITTING,GREASE (Ref # 14)	92005-501	1
PIN-DOWEL (Ref # 15)	551R0612	2
COUPLING (Ref # 16A)	42034-3706	1
DAMPER,COUPLING (Ref # 20)	92075-520	1
COVER,COUPLING (Ref # 21)	59036-567	1
SHIM,T=0.5MM (Ref # 25A)	92025-3702	AR
SHIM,T=1.0MM (Ref # 25B)	92025-3703	AR
SHIM,T=1.5MM (Ref # 25C)	92025-3704	AR
SHIM,T=0.3MM (Ref # 25)	92025-3701	AR
BOLT,6X16 (Ref # 26)	92150-3714	3
BOLT-WSP-SMALL,8X25 (Ref # 27)	155R0825	7
HOUSING-BEARING (Ref # 1)	41046-502	1
SEAL-OIL,AC1799EX (Ref # 2)	92050-501	2
SHAFT,DRIVE (Ref # 3)	59111-515	1
BEARING-BALL,#6305C3 (Ref # 4)	601B6305	2
COLLAR (Ref # 5)	92027-502	1
SLEEVE,BEARING (Ref # 6)	42036-501	1
COVER,BEARING (Ref # 7)	14025-3008	1
RING-O (Ref # 8)	92055-501	1
SEAL-OIL,AC1799EX (Ref # 9)	92050-501	2