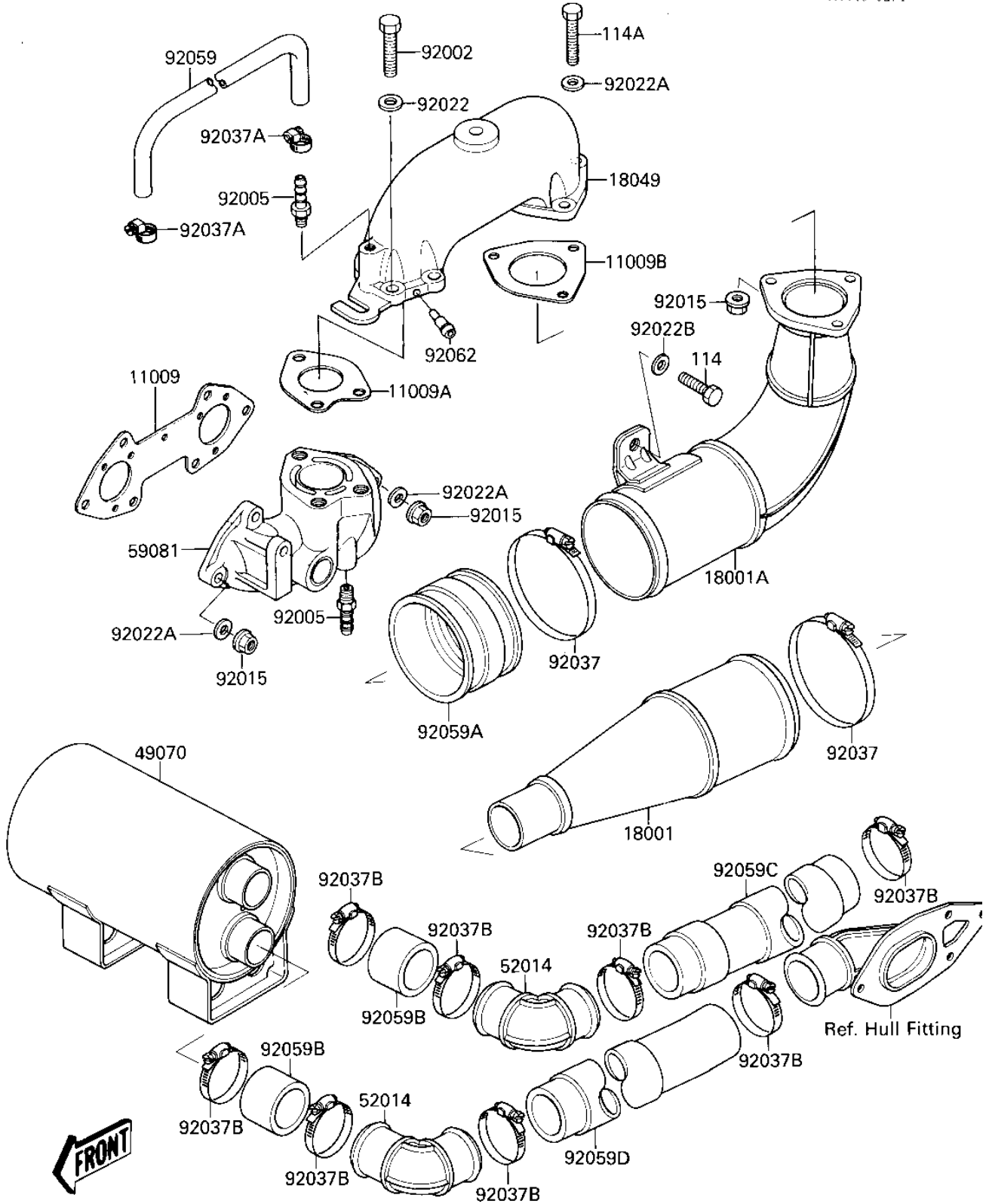


1987 650 SX

PARTS DIAGRAM

MUFFLER (KAW10001B787~KAW15906E787)

E.1140-0274



1987 650 SX

PARTS LIST

MUFFLER (KAW10001B787~KAW15906E787)

ITEM NAME	PART NUMBER	QUANTITY
GASKET,EXHAUST MANIFO (Ref # 11009)	11009-3722	1
GASKET,EXHAUST PIPE (Ref # 11009A)	11060-3725	1
GASKET,MUFFLER (Ref # 11009B)	11009-3724	1
MUFFLER,BODY (Ref # 18001)	18001-3716	1
MUFFLER,TUNED (Ref # 18001A)	18001-3718	1
PIPE-EXHAUST (Ref # 18049)	18049-3710	1
MUFFLER-COMP,WATER BO (Ref # 49070)	49070-3710	1
ELBOW (Ref # 52014)	52014-3702	2
MANIFOLD-EXHAUST (Ref # 59081)	59081-3705	1
BOLT (Ref # 92002)	92002-3746	3
JOINT,HOSE (Ref # 92005)	92005-3001	2
NUT,8MM (Ref # 92015)	92015-3709	9
WASHER (Ref # 92022)	92022-3742	3
WASHER (Ref # 92022A)	92022-1964	9
WASHER (Ref # 92022B)	92022-3744	1
CLAMP,MAX 120,7MM (Ref # 92037)	92037-3733	2
CLAMP,HOSE (Ref # 92037A)	92037-504	2
CLAMP (Ref # 92037B)	92037-509	8
TUBE,JET PUMP,9X16X30 (Ref # 92059)	92059-3748	1
TUBE,MUFFLER CONNECTI (Ref # 92059A)	92059-3767	1
TUBE (Ref # 92059B)	92059-3807	2
TUBE (Ref # 92059C)	92059-3808	1
TUBE (Ref # 92059D)	92059-3809	1
NOZZLE (Ref # 92062)	92062-3705	1
BOLT-SMALL (Ref # 114)	114R0825	1
BOLT-SMALL,8X35 (Ref # 114A)	114R0835	3