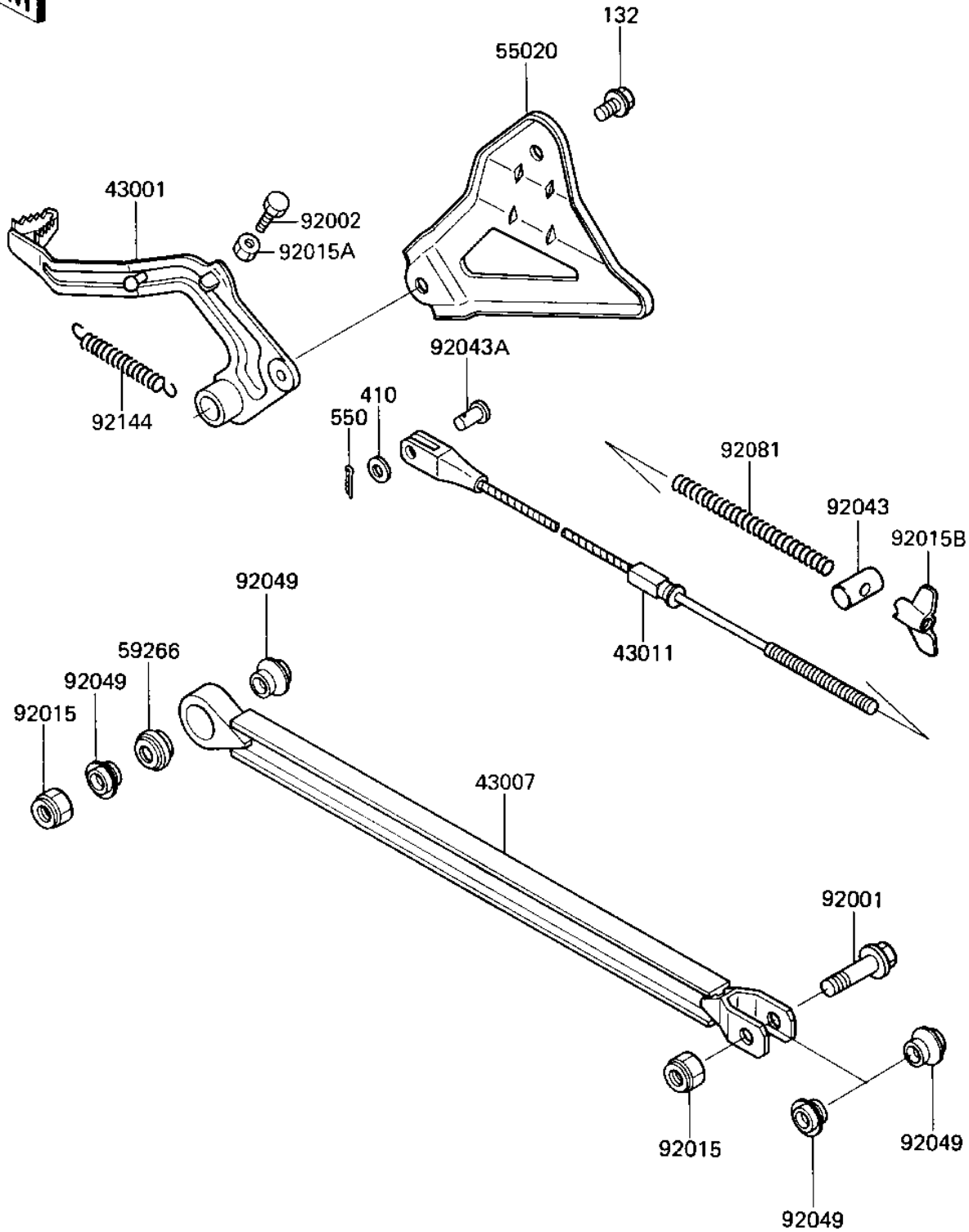


1987 Big Wheel PARTS DIAGRAM

BRAKE PEDAL/TORQUE LINK

F2260-0159



1987 Big Wheel PARTS LIST

BRAKE PEDAL/TORQUE LINK

ITEM NAME	PART NUMBER	QUANTITY
LEVER-BRAKE,PEDAL (Ref # 43001)	43001-1189	1
ROD-TORQUE (Ref # 43007)	43007-1129	1
ROD-BRAKE (Ref # 43011)	43011-1127	1
GUARD,BRAKE PEDAL (Ref # 55020)	55020-1200	1
JOINT-BALL,BRAKE PANE (Ref # 59266)	59266-1013	1
BOLT (Ref # 92001)	92001-1738	1
BOLT,6X20 (Ref # 92002)	92002-1373	1
NUT,8MM (Ref # 92015)	92015-1134	2
NUT,6MM (Ref # 92015A)	92015-1391	1
NUT,WING,6M/M (Ref # 92015B)	92015-4004	1
PIN BRAKE (Ref # 92043)	92043-039	1
PIN-BRAKE ROD FITTING (Ref # 92043A)	92043-064	1
SEAL-OIL,TORQUE ROD (Ref # 92049)	92049-1100	4
SPRING,BAAKE ROD (Ref # 92081)	92081-1688	1
SPRING,BRAKE PEDAL RE (Ref # 92144)	92144-1047	1
BOLT-FLANGED-SMALL (Ref # 132)	132G0610	2
WASHER PLAIN 6MM (Ref # 410)	410B0600	1
PIN COTTER 2.0X15 (Ref # 550)	550D2015	1