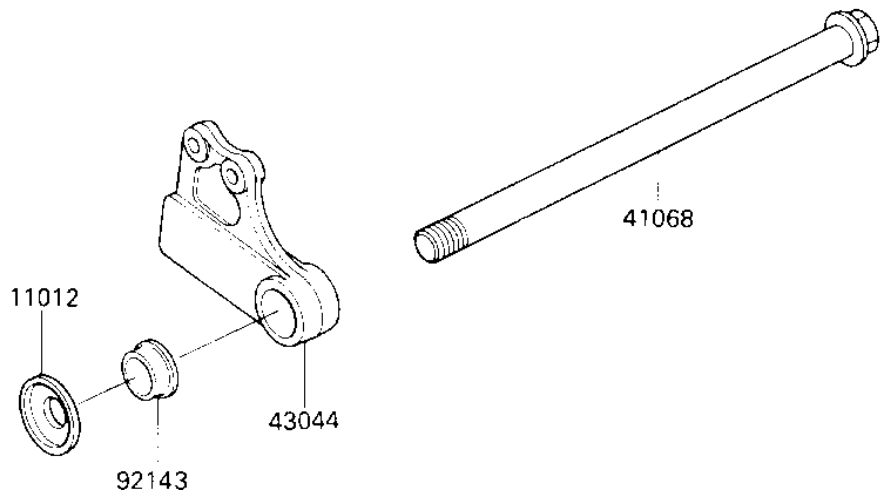
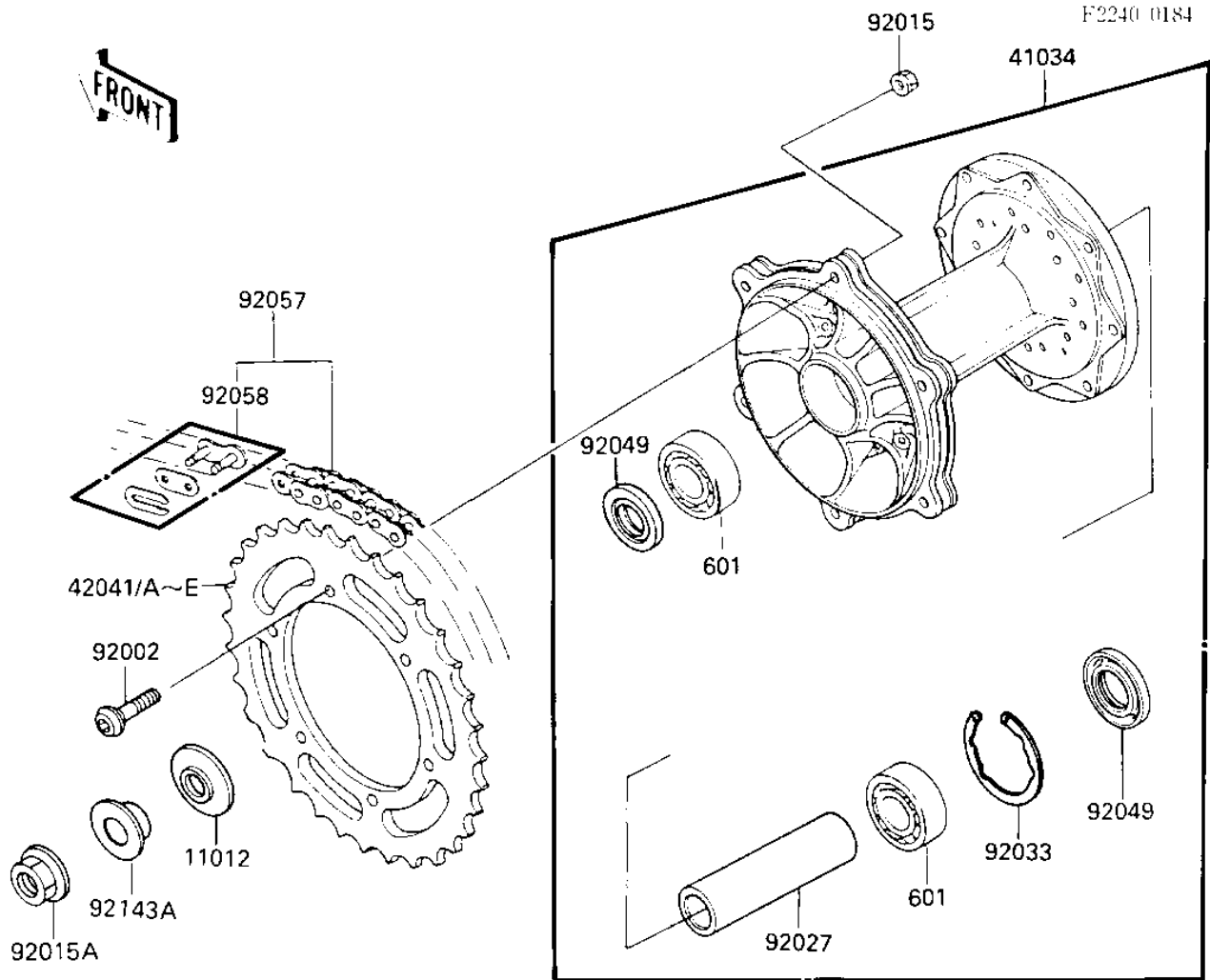


# 1987 KX500 PARTS DIAGRAM

## REAR HUB/CHAIN



# 1987 KX500 PARTS LIST

## REAR HUB/CHAIN

ITEM NAME	PART NUMBER	QUANTITY
CAP (Ref # 11012)	11012-1581	2
DRUM-ASSY,REAR BRAKE (Ref # 41034)	41034-1139	1
AXLE,RR (Ref # 41068)	41068-1180	1
SPROCKET-HUB,45T (Ref # 42041)	42041-1154	1
SPROCKET-HUB,49T,AL (Ref # 42041A)	42041-1256	1
SPROCKET-HUB,48T,AL (Ref # 42041B)	42041-1257	1
SPROCKET-HUB,47T,AL (Ref # 42041C)	42041-1258	1
SPROCKET-HUB,46T,AL (Ref # 42041D)	42041-1259	1
SPROCKET-HUB,47T (Ref # 42041E)	42041-1382	1
HOLDER-COMP-CALIPER (Ref # 43044)	43044-1068	1
BOLT,8MM (Ref # 92002)	92002-1387	6
NUT-8MM (Ref # 92015)	92015-1143	6
NUT,RR AXLE,20MM (Ref # 92015A)	92015-1461	1
COLLAR,20.2X25.4X120 (Ref # 92027)	92027-1942	1
CIRCLIP,42MM (Ref # 92033)	92033-1041	1
SEAL-OIL,BJNC2 25425 (Ref # 92049)	92049-1203	2
DR.CHAIN,DID520DS5114 (Ref # 92057)	92057-1202	1
JOINT,DRIVE CHAIN (Ref # 92058)	92058-1013	1
COLLAR (Ref # 92143)	92143-1089	1
COLLAR (Ref # 92143A)	92143-1090	1
BEARING-BALL,#6004U (Ref # 601)	601B6004U	2