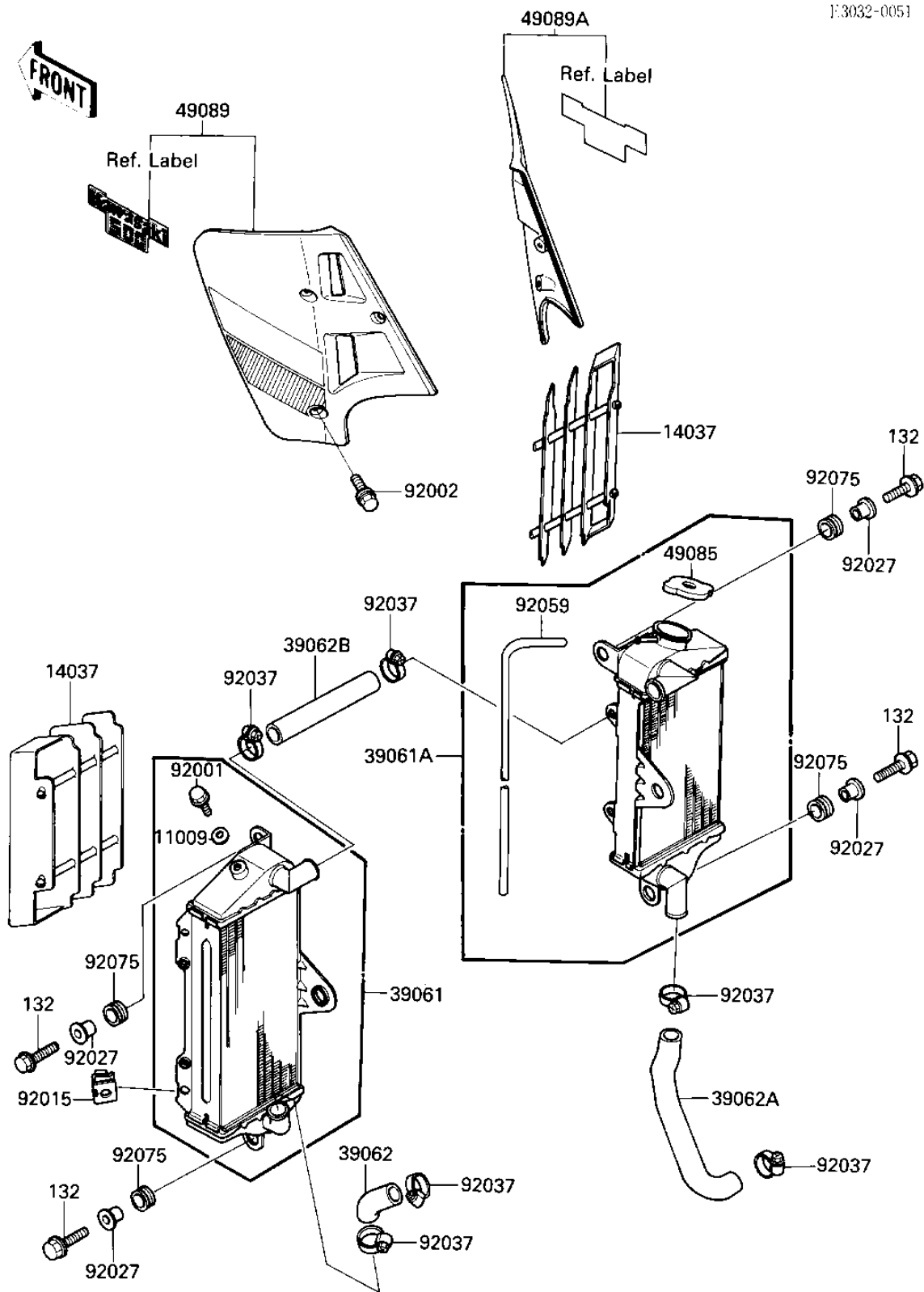


1987 KX500 PARTS DIAGRAM

RADIATORS



F.3032-0051

1987 KX500 PARTS LIST

RADIATORS

ITEM NAME	PART NUMBER	QUANTITY
GASKET,DRAIN PLUG (Ref # 11009)	11009-1152	1
SCREEN (Ref # 14037)	14037-1087	2
RADIATOR-ASSY,LH (Ref # 39061)	39061-1098	1
RADIATOR-ASSY,RH (Ref # 39061A)	39061-1099	1
HOSE-COOLING,RADIATOR (Ref # 39062)	39062-1138	1
HOSE-COOLING,RADIATOR (Ref # 39062A)	39062-1209	1
HOSE-COOLING,RADIATOR (Ref # 39062B)	39062-1256	1
CAP-ASSY-PRESSURE (Ref # 49085)	49085-1003	1
SHROUD-ENGINE,LH,L.GR (Ref # 49089)	49089-5020-6W	1
SHROUD-ENGINE,RH,L.GR (Ref # 49089A)	49089-5021-6W	1
BOLT,RADIATOR DRAIN (Ref # 92001)	92002-1682	1
BOLT (Ref # 92002)	92150-1435	6
NUT (Ref # 92015)	92015-1487	4
COLLAR (Ref # 92027)	92027-194	6
CLAMP,COOLING HOSE (Ref # 92037)	92037-1589	6
TUBE,5X9X800 (Ref # 92059)	92059-1383	1
DAMPER RUBBER,RR FENR (Ref # 92075)	92075-209	6
BOLT-FLANGED-SMALL (Ref # 132)	132G0620	6