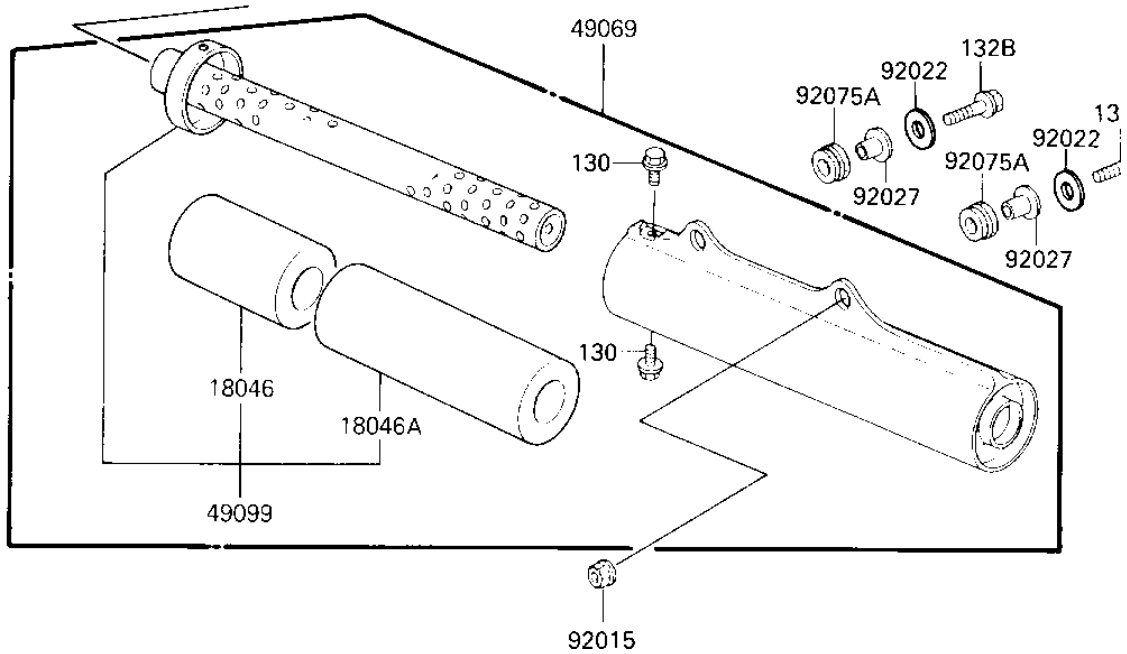
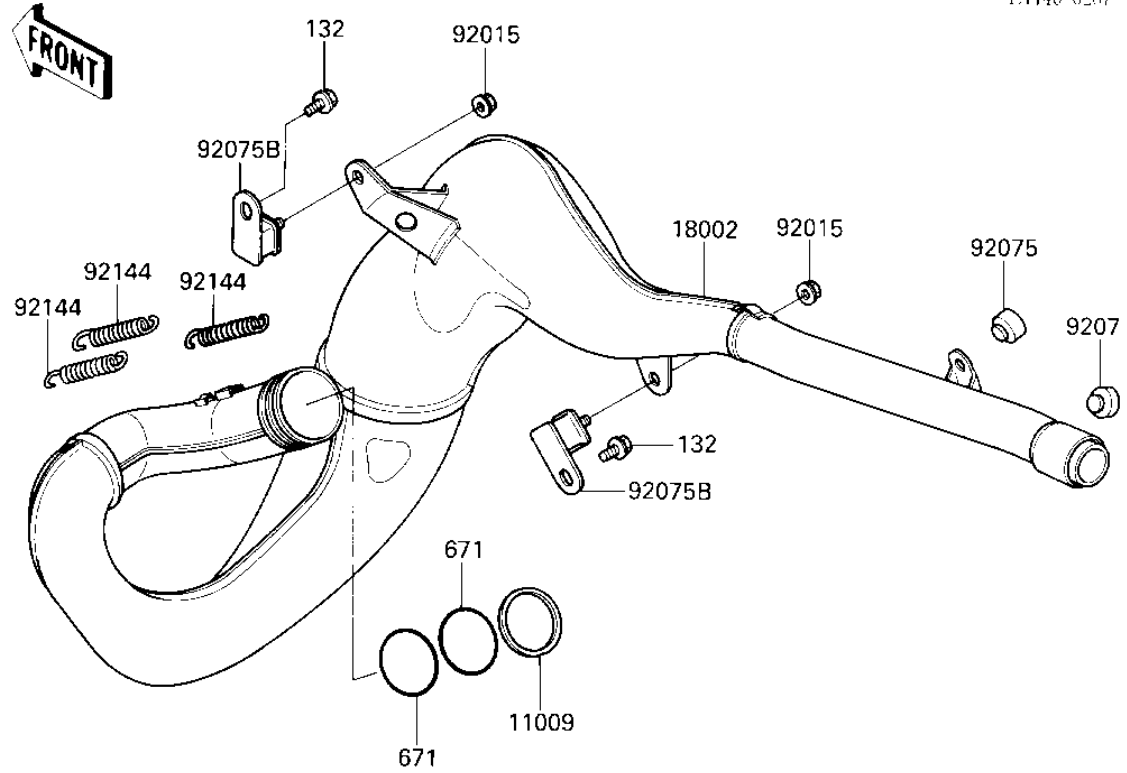


# 1987 KX500 PARTS DIAGRAM

## MUFFLER

E1140-0267



# 1987 KX500 PARTS LIST

## MUFFLER

ITEM NAME	PART NUMBER	QUANTITY
GASKET,EXHAUST PIPE (Ref # 11009)	11009-1253	1
BODY-COMP-MUFFLER (Ref # 18002)	18002-1715	1
WOOL,L=143 (Ref # 18046)	18046-1071	1
WOOL,L=200 (Ref # 18046A)	18046-1073	1
MUFFLER-ASSY (Ref # 49069)	49069-1079	1
BAFFLE-PIPE MUFFLER (Ref # 49099)	49099-1201	1
NUT-6MM (Ref # 92015)	92015-1078	4
WASHER 6.5X22X1.6T (Ref # 92022)	92022-237	2
COLLAR (Ref # 92027)	92027-268	2
DAMPER,SIDE COVER (Ref # 92075)	92075-1598	2
DAMPER,MUFFLER FITTIN (Ref # 92075A)	92075-1857	2
DAMPER,MUFFLER (Ref # 92075B)	92075-1891	2
SPRING (Ref # 92144)	92144-1035	3
BOLT-FLANGED (Ref # 130)	130G0508	2
BOLT-FLANGED-SMALL (Ref # 132)	132G0612	2
BOLT-FLANGED-SMALL (Ref # 132A)	132G0630	1
BOLT-FLANGED-SMALL (Ref # 132B)	132G0640	1
O RING,50MM (Ref # 671)	671E2550	2