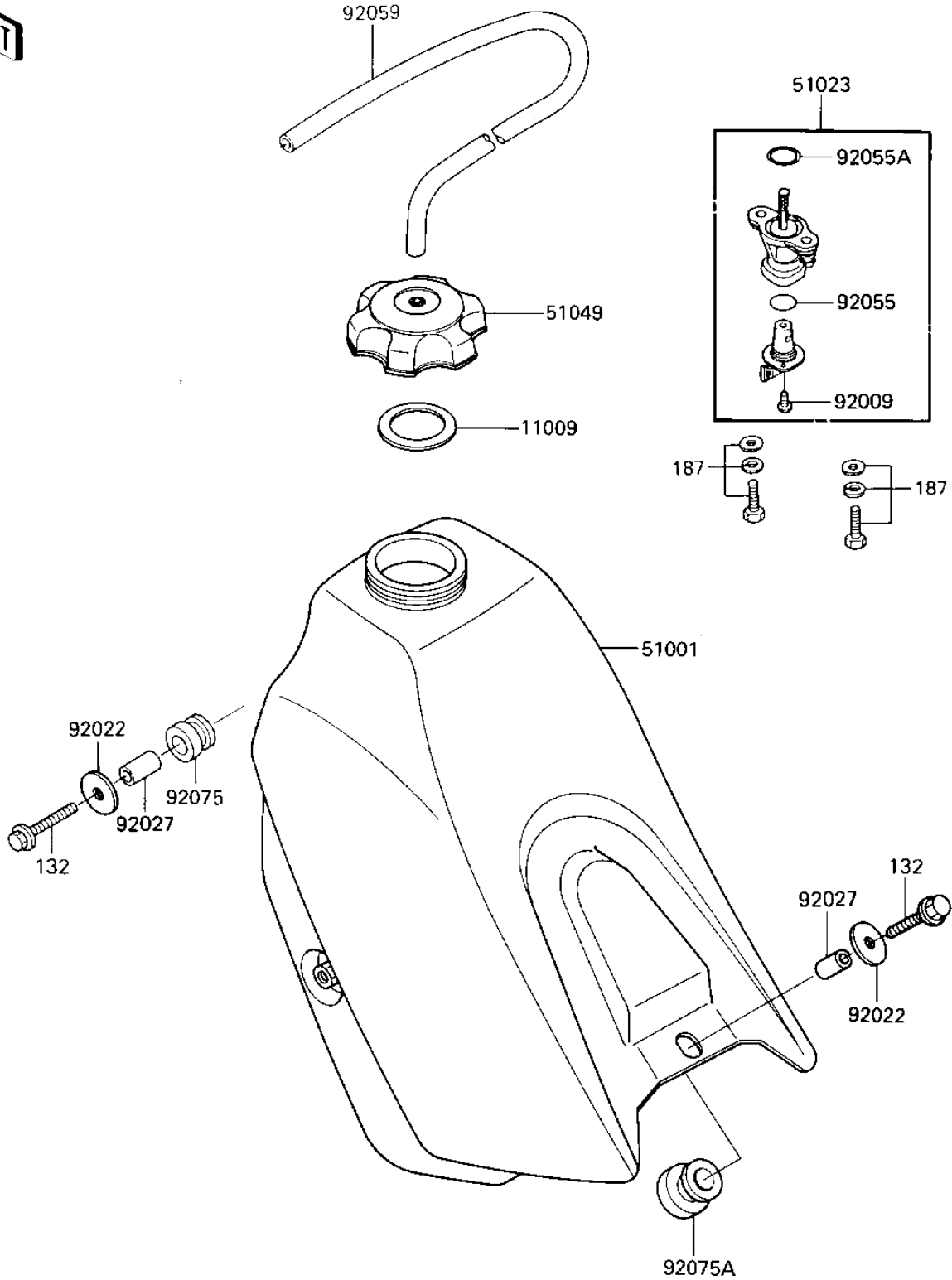


1987 KX250 PARTS DIAGRAM

FUEL TANK

F24110-0344



1987 KX250 PARTS LIST

FUEL TANK

| ITEM NAME | PART NUMBER | QUANTITY |
|-------------------------------------|---------------|----------|
| GASKET,FUEL TANK CAP (Ref # 11009) | 11060-1340 | 1 |
| TANK-COMP-FUEL,L.GREE (Ref # 51001) | 51001-1253-6W | 1 |
| TAP-ASSY-FUEL (Ref # 51023) | 51023-1115 | 1 |
| CAP-TANK,FUEL (Ref # 51049) | 51049-1089 | 1 |
| SCREW PAN HEAD 3X8 (Ref # 92009) | 220E0308 | 2 |
| WASHER (Ref # 92022) | 92022-1690 | 3 |
| COLLAR,6.8X10X14 (Ref # 92027) | 92027-1966 | 3 |
| RING-O (Ref # 92055) | 92055-1299 | 1 |
| RING-O (Ref # 92055A) | 92055-1300 | 1 |
| TUBE,5X9X350 (Ref # 92059) | 92059-1265 | 1 |
| DAMPER (Ref # 92075) | 92075-1787 | 2 |
| DAMPER (Ref # 92075A) | 92075-1937 | 1 |
| BOLT-FLANGED-SMALL (Ref # 132) | 132G0625 | 3 |
| BOLT-UPSET-WSP (Ref # 187) | 187B0616 | 2 |