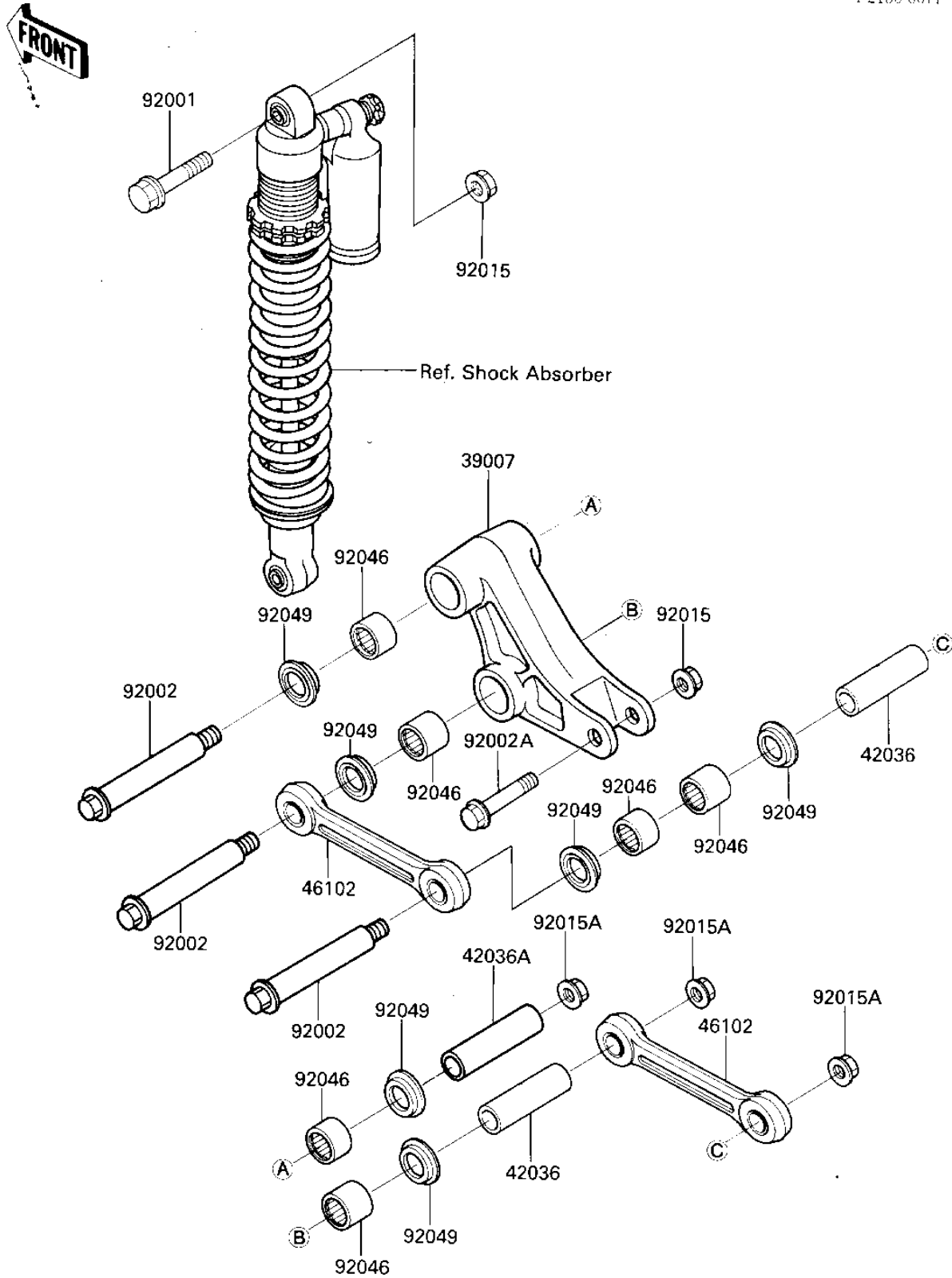


## 1987 KX125 PARTS DIAGRAM

### REAR SUSPENSION

F2150-0077



## 1987 KX125 PARTS LIST

### REAR SUSPENSION

ITEM NAME	PART NUMBER	QUANTITY
ARM-SUSP,UNI TRAK (Ref # 39007)	39007-1115	1
SLEEVE,22X65 (Ref # 42036)	42036-1209	1
SLEEVE,22X72 (Ref # 42036A)	42036-1210	1
ROD,SUSPENSION (Ref # 46102)	46102-1205	1
BOLT,10X50 (Ref # 92001)	92001-1913	1
BOLT,12MM (Ref # 92002)	92002-1890	1
BOLT (Ref # 92002A)	92002-1936	1
NUT,10MM (Ref # 92015)	92015-1415	1
NUT,LOCK,12MM (Ref # 92015A)	92015-1617	1
BEARING-NEEDLE (Ref # 92046)	92046-1162	1
SEAL-OIL,MHA22 28 5.7 (Ref # 92049)	92049-1254	1