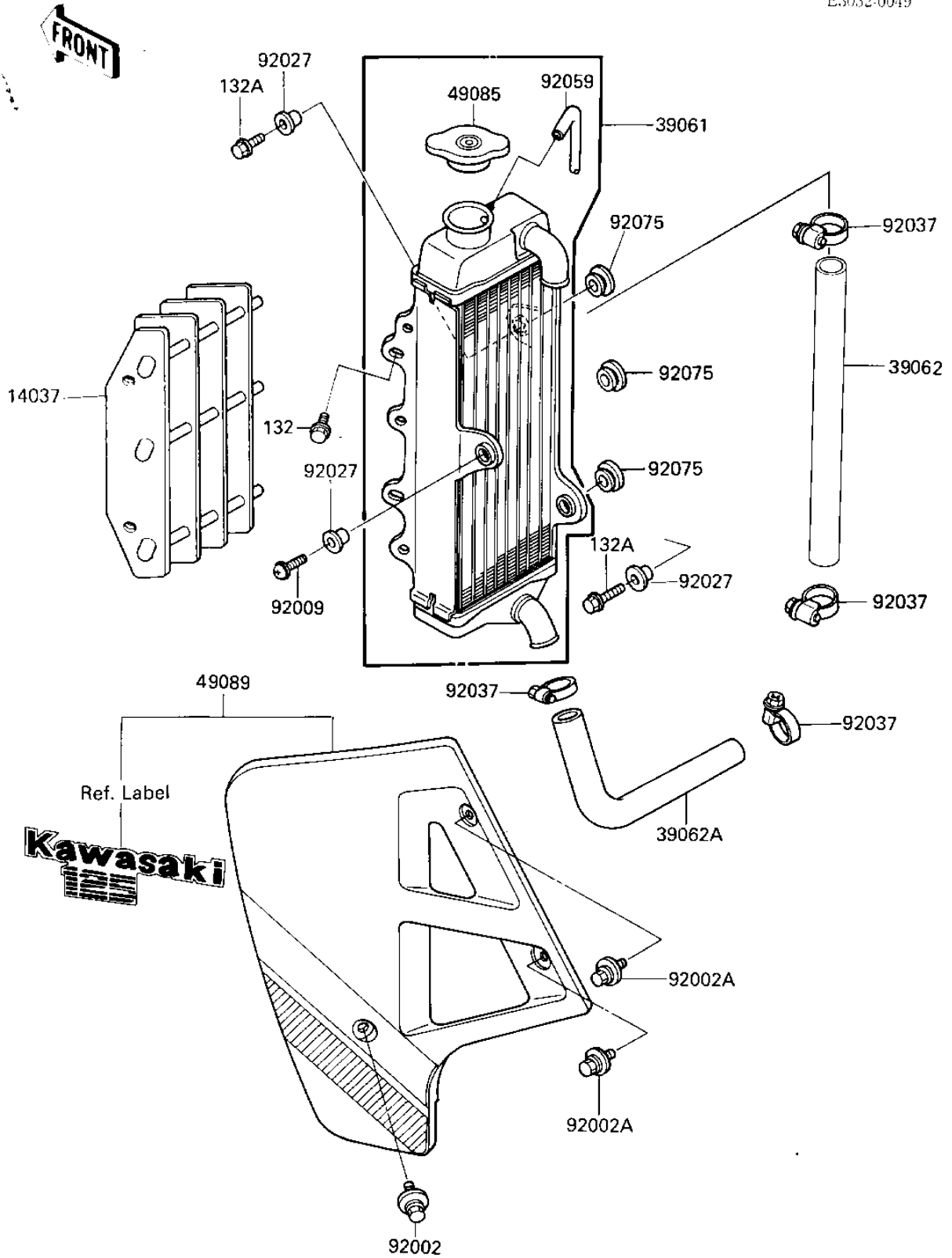


## 1987 KX125 PARTS DIAGRAM

RADIATOR

E3032-0049



## 1987 KX125 PARTS LIST

### RADIATOR

ITEM NAME	PART NUMBER	QUANTITY
SCREEN,RADIATOR (Ref # 14037)	14037-1053	1
RADIATOR-ASSY (Ref # 39061)	39061-1120	1
HOSE-COOLING,RADIATOR (Ref # 39062)	39062-1256	1
HOSE-COOLING,PUMP-RAD (Ref # 39062A)	39062-1206	1
CAP-ASSY-PRESSURE (Ref # 49085)	49085-1003	1
SHROUD-ENGINE,LH,L.GR (Ref # 49089)	49089-5017-6W	1
BOLT,6X14 (Ref # 92002)	92150-1340	1
BOLT,FLANGED,6X10 (Ref # 92002A)	92002-1637	1
SCREW,6X22 (Ref # 92009)	92009-1441	1
COLLAR,RADIATOR GUARD (Ref # 92027)	92027-1183	1
CLAMP,COOLING HOSE (Ref # 92037)	92037-1589	1
TUBE,5X9X800 (Ref # 92059)	92059-1383	1
DAMPER,RADIATOR (Ref # 92075)	92075-1352	1
BOLT-FLANGED-SMALL (Ref # 132)	132G0610	1
BOLT-FLANGED-SMALL (Ref # 132A)	132G0625	1