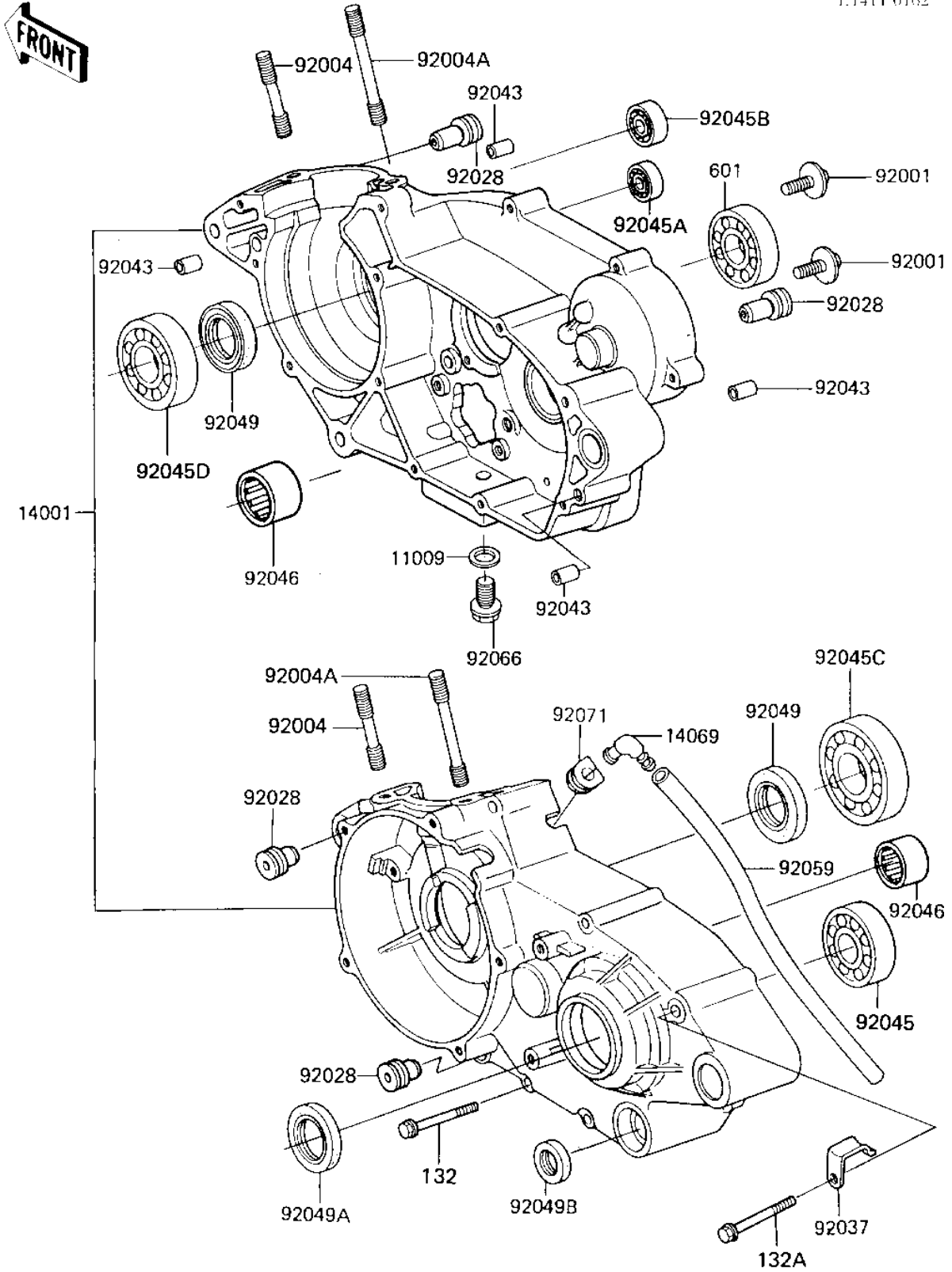


1987 KX125 PARTS DIAGRAM

CRANKCASE

E1411 0162



1987 KX125 PARTS LIST

CRANKCASE

ITEM NAME	PART NUMBER	QUANTITY
GASKET CHECK VALVE (Ref # 11009)	92065-058	1
SET-CRANKCASE (Ref # 14001)	14001-5184	1
BREATHER ASSY (Ref # 14069)	14069-1001	1
BOLT,CLUTCH SPR FITT (Ref # 92001)	92001-1066	2
STUD,8X25 (Ref # 92004)	92004-1008	2
STUD (Ref # 92004A)	92004-1132	2
BUSHING (Ref # 92028)	92028-1366	4
CLAMP,HARNESS (Ref # 92037)	92037-1318	1
PIN-DOWEL (Ref # 92043)	92042-007	4
BEARING,BALL (Ref # 92045)	92045-1007	1
BEARING-BALL (Ref # 92045A)	92045-1211	1
BEARING-BALL (Ref # 92045B)	92045-1212	1
BEARING-BALL,6305JR2C (Ref # 92045C)	92045-1120	1
BEARING-BALL,63/22T2C (Ref # 92045D)	92045-1134	1
BEARING-NEEDLE,HMK151 (Ref # 92046)	92046-1058	2
OIL SEAL,TCJ20407 (Ref # 92049)	92049-1052	2
OIL SEAL SC25376 (Ref # 92049A)	92050-013	1
OIL SEAL,TB13225.5 (Ref # 92049B)	92051-005	1
TUBE,6X9X750 (Ref # 92059)	92059-1372	1
PLUG (Ref # 92066)	92066-1241	1
GROMMET (Ref # 92071)	92071-042	1
BOLT-FLANGED-SMALL (Ref # 132)	132G0640	10
BOLT-FLANGED-SMALL (Ref # 132A)	132G0665	1
BEARING BALL #6303 (Ref # 601)	601B6303	1