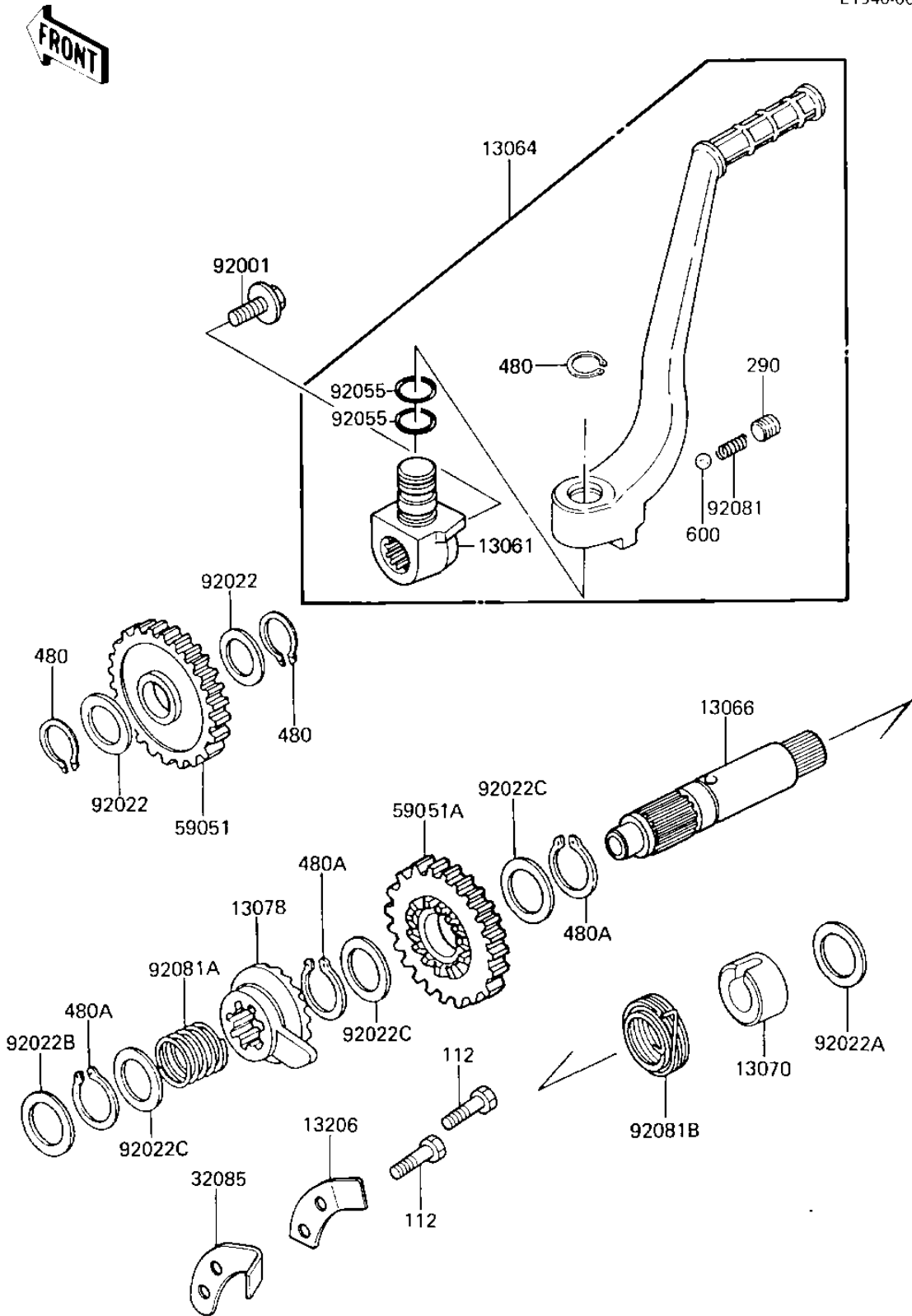


# 1987 KX125 PARTS DIAGRAM

## KICKSTARTER MECHANISM

E1340-0052



# 1987 KX125 PARTS LIST

## KICKSTARTER MECHANISM

| ITEM NAME                            | PART NUMBER | QUANTITY |
|--------------------------------------|-------------|----------|
| BOSS,KICK PEDAL (Ref # 13061)        | 13061-1109  | 1        |
| LEVER-ASSY-KICK,PEDAL (Ref # 13064)  | 13064-1142  | 1        |
| SHAFT-KICK,STARTER (Ref # 13066)     | 13066-1019  | 1        |
| GUIDE,KICK SPRING (Ref # 13070)      | 13070-1007  | 1        |
| RATCHET,KL250-D2 (Ref # 13078)       | 13078-1052  | 1        |
| GUIDE-KICK (Ref # 13206)             | 13206-1059  | 1        |
| STOPPER,KICKSTARTER (Ref # 32085)    | 32085-1016  | 1        |
| IDLE GEAR,KICKSTARTER (Ref # 59051)  | 59051-1009  | 1        |
| GEAR-SPUR,KICKSTARTER (Ref # 59051A) | 59051-1125  | 1        |
| BOLT,HEX HEAD,6X10 (Ref # 92001)     | 92001-1034  | 1        |
| WASHER,PLAIN (Ref # 92022)           | 92022-1045  | 2        |
| WASHER,14MM (Ref # 92022A)           | 92022-1534  | 1        |
| WASHER,PLAIN (Ref # 92022B)          | 92022-269   | 1        |
| WASHER,PLAIN (Ref # 92022C)          | 92022-315   | 3        |
| "O" RING (Ref # 92055)               | 92055-061   | 2        |
| SPRING KICK PEDAL (Ref # 92081)      | 92081-020   | 1        |
| SPRING,RATCHET (Ref # 92081A)        | 92081-122   | 1        |
| SPRING,KICKSTARTER (Ref # 92081B)    | 92081-1768  | 1        |
| BOLT-UPSET (Ref # 112)               | 112G0618    | 2        |
| SCREW,8X8 (Ref # 290)                | 290Q0808    | 1        |
| CIRCLIP 15MM (Ref # 480)             | 480J1500    | 3        |
| CIRCLIP 16MM (Ref # 480A)            | 480J1600    | 3        |
| BALL STEEL 1/4' (Ref # 600)          | 600A0800    | 1        |