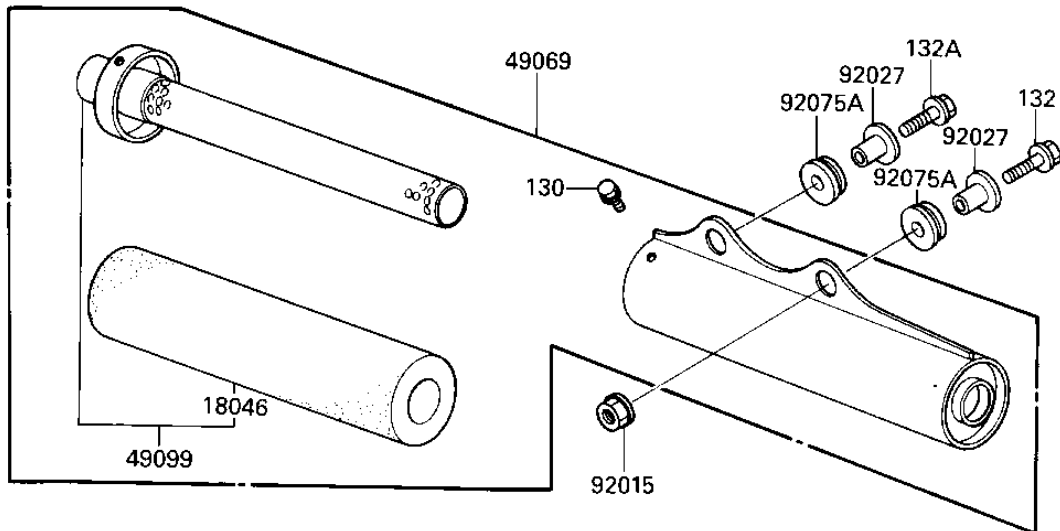
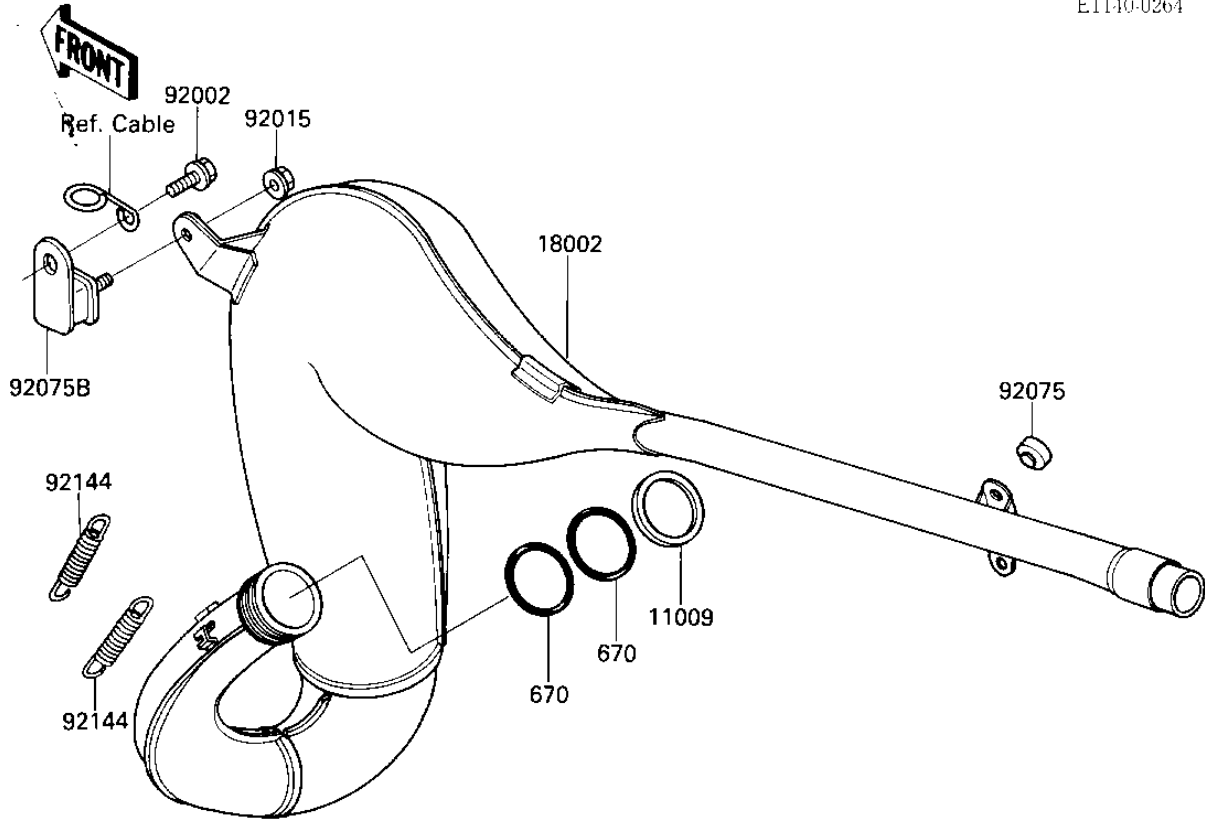


# 1987 KX125 PARTS DIAGRAM

## MUFFLER

E1110-0264



# 1987 KX125 PARTS LIST

## MUFFLER

ITEM NAME	PART NUMBER	QUANTITY
GASKET,EXHAUST PIPE (Ref # 11009)	11009-1995	1
BODY-COMP-MUFFLER (Ref # 18002)	18002-1705	1
WOOL,MUFFLER BAFFLE P (Ref # 18046)	18046-1060	1
MUFFLER-ASSY (Ref # 49069)	49069-1078	1
BAFFLE-PIPE MUFFLER (Ref # 49099)	49099-1227	1
BOLT,6X14 (Ref # 92002)	92150-1340	1
NUT-6MM (Ref # 92015)	92015-1078	3
COLLAR (Ref # 92027)	92027-268	2
DAMPER,SIDE COVER (Ref # 92075)	92075-1598	2
DAMPER,MUFFLER FITTIN (Ref # 92075A)	92075-1857	2
DAMPER,MUFFLER (Ref # 92075B)	92075-1891	1
SPRING (Ref # 92144)	92144-1035	2
BOLT-FLANGED (Ref # 130)	130G0508	2
BOLT-FLANGED-SMALL (Ref # 132)	132G0625	1
BOLT-FLANGED-SMALL (Ref # 132A)	132G0635	1
O RING (Ref # 670)	670E3039	2